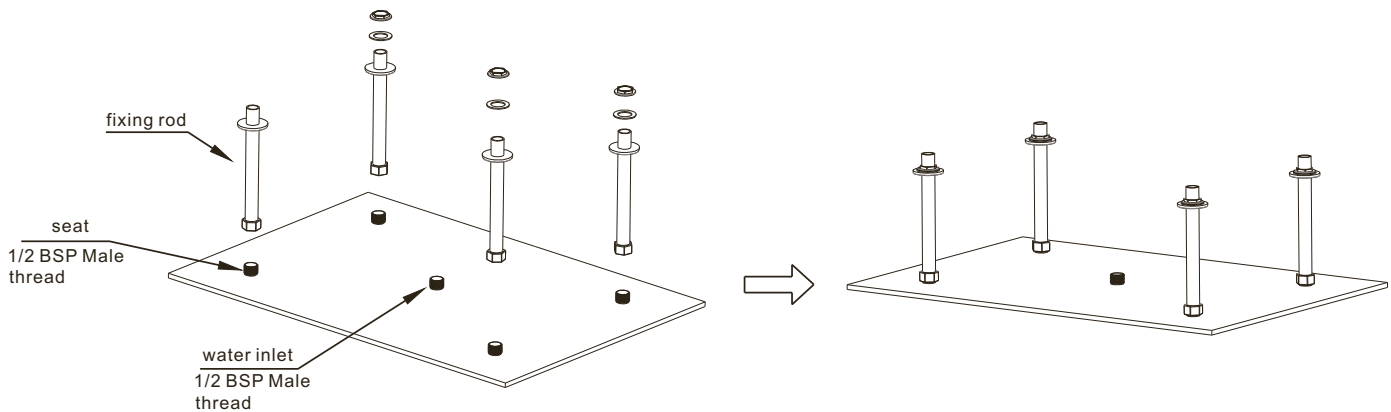
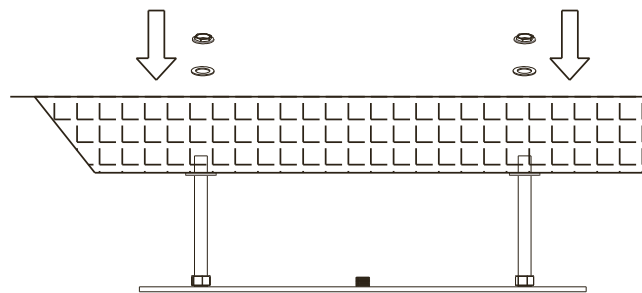


**PLEASE NOTE: THESE INSTALLATION INSTRUCTIONS ARE ONLY FOR THE 500X500MM & 600X600MM DROP SHOWERS ONLY**

Step 1: connect fixing rods to shower head



Step 2: Fix all four rods with nuts by tightening, Access is required from the top fo the ceiling to do this



Step 3: Connect water with flexible hose of required length(not provided)

