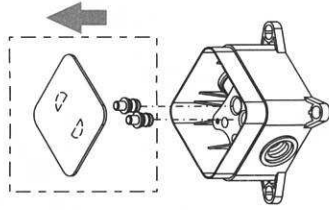


# Free standing mixer below floor parts installation

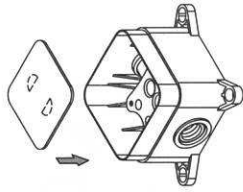
## Step 1

Disassemble and take out



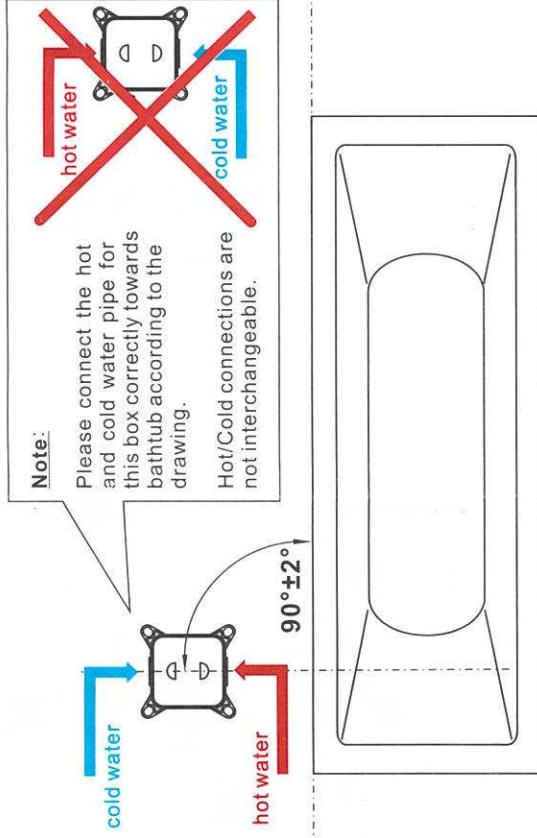
## 2

Put the dustproof cover on



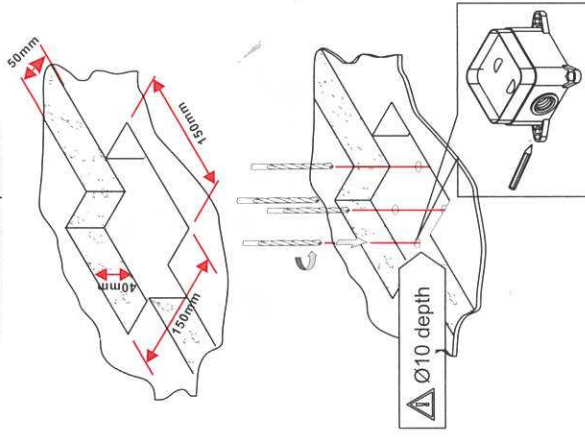
## 3

Fix the position of the tap



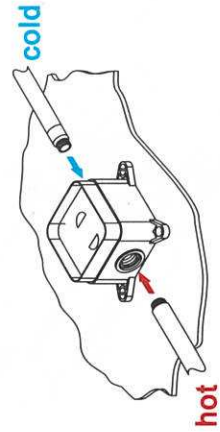
## 4

Fix the screw position



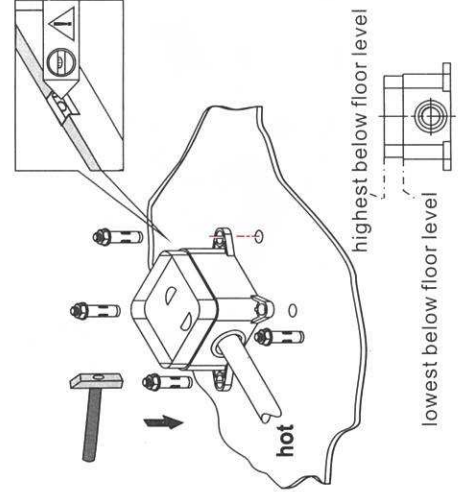
## 5

Connect water pipes



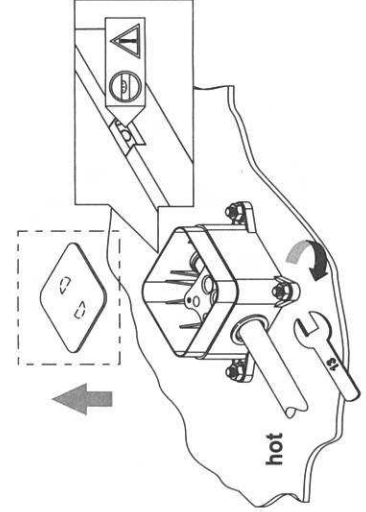
## 6

After adjusting the level, fasten bolts with appropriate fasteners



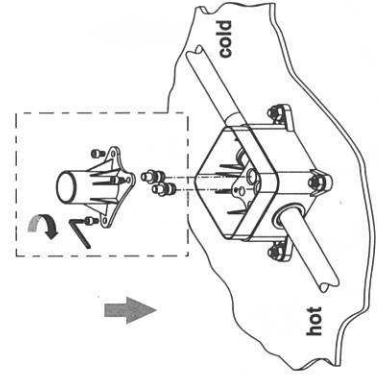
## 7

Adjust/check again the level after fastening the bolts.  
Remove the cover.



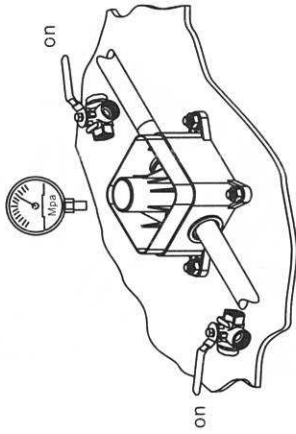
## 8

Install water test parts



# Step 9

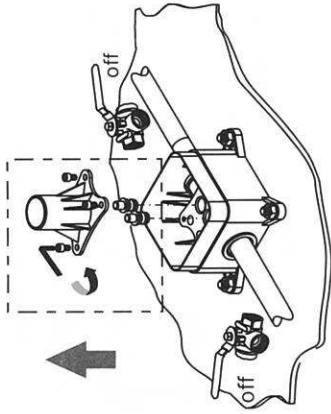
Turn on water and leave running for enough time to ensure there are no leaks, under pressure minimum 0.8MPa



# 10

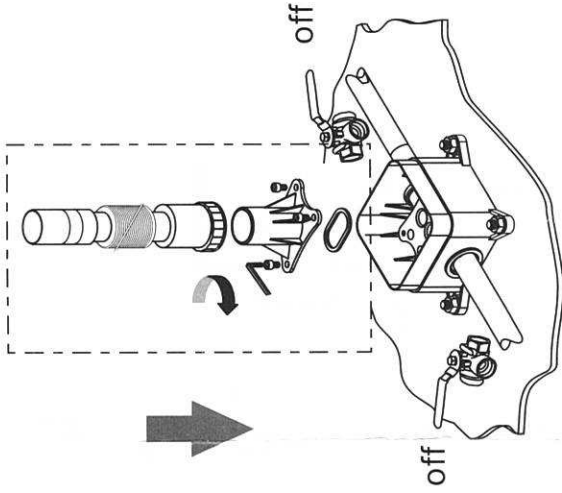
Turn water off and remove water test parts.

**Caution:** please decompress the water before unfastening the screw.



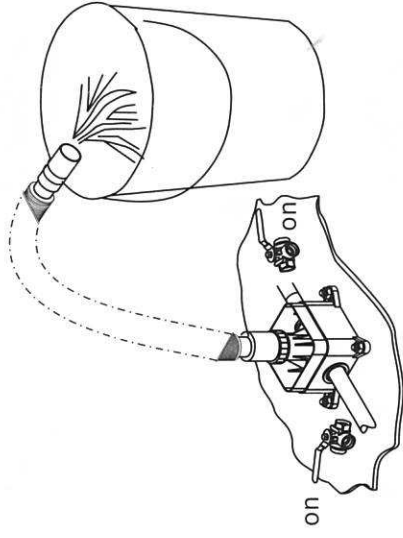
# 11

Install pipe cleaning parts.



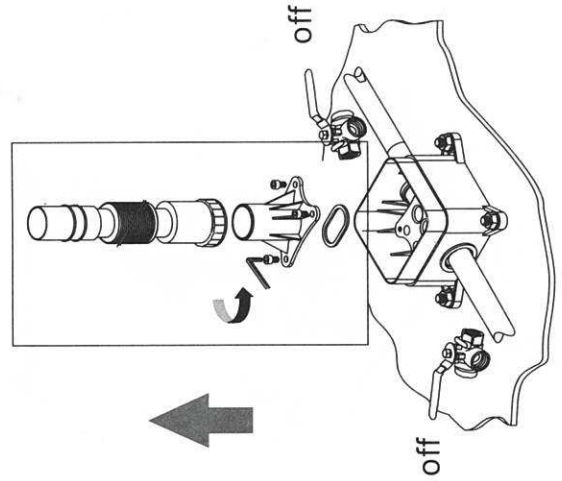
# 12

Flush out / clean water pipes



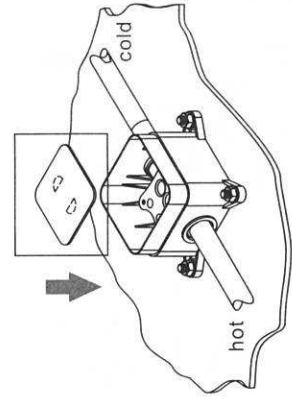
# 13

Turn off the valve, take out the pipe cleaning parts.



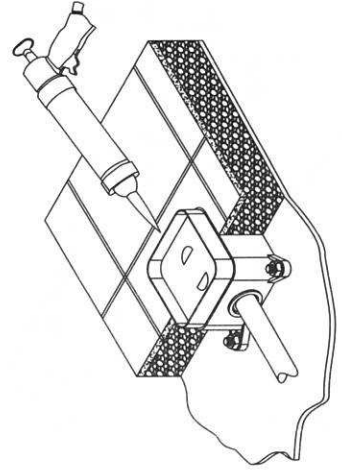
# 14

Put cover plate back on



# 15

After installation of flooring/tiles, ensure any gaps are adequately sealed.



# 16

Cut-off remaining visible plastic housing and remove cover.

