

paco jaanson

Palermo

Double Bowl Sink with Drainer

Product Code: CDS821-120



Featured With Tangent Sink Mixer + Timber Cutting Board + Stainless Steel Soap Pump

DESCRIPTION

From the cutting edge designers comes a kitchen sink which marks absolute originality.

Simple surfaces combined with gentle curves of the edges become a design feature combining with the practicality, resistance and natural durability of stainless steel.

Mastering the art in creating truly unique kitchens.

Features

Suitable for Flush - Under + Inset Mounting

Drainer can be Oriented to Left or Right

Waste Included

Handmade 1.2mm Thick

Lifetime Limited Manufacturers Warranty

1 Year Limited Commercial Warranty

PRICING STRUCTURE

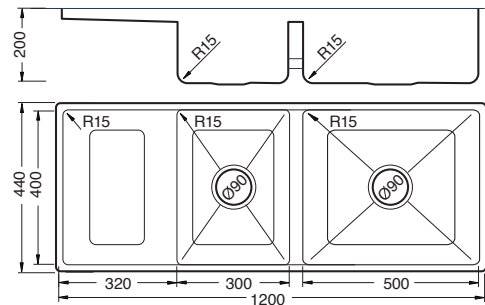
Retail Pricing:

304 Grade Stainless Steel

\$1,045.00 gst inclusive

Overall Dimensions

1200mm (w) x 440mm (d) x 200mm (h) x 1.2mm (t)



All dimensions are approximate only and are subject to change by the manufacturer.
Bench cut-outs should not be undertaken based on these dimensions



Available in Single Bowl Configuration

- 380 x 440mm - CDS810M-38
- 440 x 440mm - CDS810M-44
- 580 x 440mm - CDS810L-58

Single Bowl + Drainer Configuration

- 790 x 440mm - CDS811-7944

Double Bowl Configuration

- 630 x 440mm - CDS820-63
- 760 x 440mm - CDS820-76

Double Bowl + Drainer Configuration

- 1050 x 440mm - CDS821-10544
- 1000 x 500mm - CDS820-100-I
- 1140 x 440mm - CDS821-114
- 1200 x 440mm - CDS821-120

Optional Accessories

- Stainless Steel Colandar - CL01
- Stainless Steel Soap Pump - SP01
- Timber Cutting Board - CL02
- Roll-Out Mat Drainer - CL03

PACO JAANSON BATHROOM INNOVATIONS

Copyright © 2019. All rights reserved. Updated: 31st August 2019.

Telephone : 1800 006 260

Email - info@pacojaanson.com.au

www.pacojaanson.com.au