

paco jaansōn

BREEZE PNEUMATICS

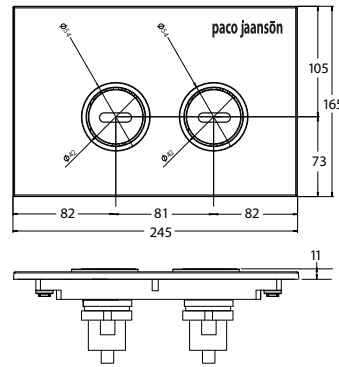
In-wall Cistern Plastic Control Plate - Mirror Chrome

Codes: PJ-G3100006



Dimensions

245mm (w) x 33mm (d) x 165mm (h)



DESCRIPTION

Architectural trends developed after the 1980s brought up the preference of wall hung & concealed products in the bathrooms and kitchens instead of the old floor standing products due to aesthetic, functional & hygienic aspects.

In accordance with the new trends, concealed cisterns and wall hung bowls have been developed to be replaced with floor standing toilet bowls and exposed integral ceramic cisterns or suspended plastic cisterns.

Compared to the old type applications; concealed cistern-wall hung bowl combination has the advantage of : Space saving, aesthetic view and hygiene.



Features

Suits Breeze Pneumatics Concealed Cistern
Code: PJ-G30035 II

5 Years Limited Manufacturers Warranty

1 Year Limited Commercial Warranty

Easy to remove for maintenance access to the cistern

Pneumatic operation (100mm air pipe) standard

Finish : Mirror Chrome

Remote Installation Kit (optional extra)

Code: PJ-G30035 RK (4m extended air pipe included)

PRICING STRUCTURE

Retail Pricing:

Control Plate PJ-G3100006
\$88.00 gst inc.

Remote Kit: PJ-G30035 RK
\$99.00 gst inc.

PACO JAANSON BATHROOM INNOVATIONS
Copyright © 2018. All rights reserved. Updated: 17th April 2019.

Telephone : 1800 006 260

Email - info@pacojaanson.com.au

www.pacojaanson.com.au