

paco jaanson

BENELLI CARE

Ambulant Wall Face Toilet Suit

Code: HDC683HP (with BOC3187 soft close seat)



DESCRIPTION

The Paco Jaanson Care range is committed to providing innovative solutions formed through knowledge and insight to ensure critical living hubs like bathrooms are designed to fully consider the needs of users and their carer's, to maximise independence and a greater degree of user comfort, dignity, respect & safety.

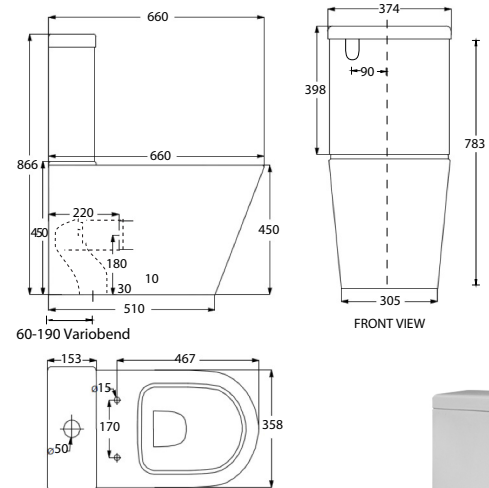
Their aged care and disability solutions are adaptable and allow flexibility when renovations or redesign is being considered. Benelli puts the user first so you can choose Paco Jaanson with confidence.

PRICING STRUCTURE

Retail Pricing:
HDC683HP
\$660.00 gst inclusive

Dimensions

374mm (w) x 660mm (d) x 866mm (h)



Features

- Rimless pan hygienic flush
- Vitreous china
- 4 Star - Wels 3.1 Litres Average
- WDI Inlet & Outlet Valve
- Rear Entry Water Inlet Cistern
- Supplied with AU-001 - Variobend Connector for S trap
- S trap 60 to 190mm - P trap 180mm Optional
- Extension for Set-Out up to 260mm S trap - Order Code Au-kada-S
- 15 Years Limited Manufacturers Warranty
- 1 Year Limited Commercial Warranty
- ♿ Suitable for installation to comply to Australian Standard AS 1428.1-2009 Amendment No.1 Design for access and mobility - Section 16
- Suitable to people with an ambulant disability
- Complete with soft close seat - BOC3187

PACO JAANSON BATHROOM INNOVATIONS
Copyright © 2018. All rights reserved. Updated: 07th September 2020.

Telephone : 1800 006 260
Email - info@pacojaanson.com.au
www.pacojaanson.com.au

paco jaanson

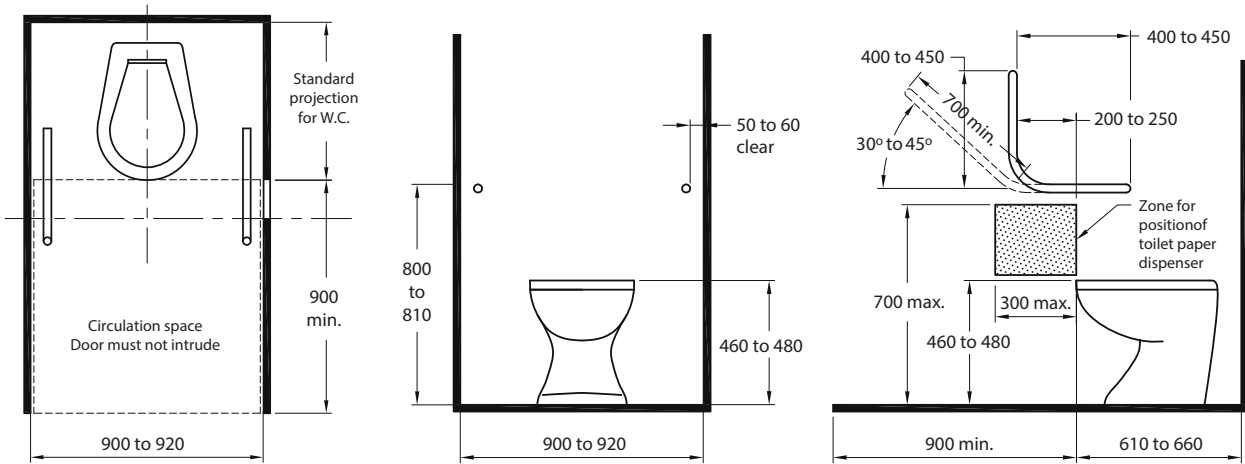
BENELLI CARE

Ambulant Wall Face Toilet Suit

Code: HDC683HP (with BOC3187 soft close seat)

ACCESS AND MOBILITY

Suitable for installation to comply to Australian Standard AS 1428.1-2009 Amendment No.1 Design for access and mobility - Section 16



DIMENSIONS IN MILLIMETRES
SANITARY COMPARTMENT FOR PEOPLE WITH AMBULANT DISABILITIES
www.standards.org.au



All installations should be carried out by a qualified tradesman in compliance with the national Plumbing & Drainage Code and any State or Local Authority Regulations, in accordance with AS/NZS 3500 series of standards and AS/NZA 6400.

WARRANTY STATEMENT

Paco Jaanson vitreous china is guaranteed for 15 years (seat cover, accessories, valves, washers are guaranteed for 1 year) from date of purchase subject to the following conditions:

1. Installation has been carried out by a licensed plumber in accordance with the plumbing code of Australia.
2. All maintenance and adjustments to the product after the installation have been carried out by a licensed plumber.
3. Only mild household detergents and soft (non-abrasive) cloth has been used to clean the product.
4. All goods of substandard quality manufacture (excluding imperfections permitted within AS1976 - vitreous china used in sanitary applications) will be credited or replaced by Paco Jaanson when advised within the warranty period, subject to prior inspection and agreement.
5. Proof of purchase is required for warranty claims.

FULL WARRANTY & CONDITIONS
www.pacojaanson.com.au

LIMITATIONS

To the extent permitted under the Trade Practices Act and other relevant legislation, Paco Jaanson's liability is limited to: The cost of replacing the goods, or The cost of obtaining equivalent goods, or The cost of having the goods repaired. Paco Jaanson is not responsible for any lack of operation or performance of goods (or any loss or damage) where goods are used or adapted for a with other goods not supplied by Paco Jaanson. It is the responsibility of the customer and installer before installation to ensure are correct and free of obvious visible faults. Paco Jaanson is not responsible for the labour and rectification costs incurred in the above circumstance.

PRICING STRUCTURE

Retail Pricing:
HDC683HP
\$660.00 gst inclusive

PACO JAANSON BATHROOM INNOVATIONS
Copyright © 2018. All rights reserved. Updated: 07th September 2020.

Telephone : 1800 006 260
Email - info@pacojaanson.com.au
www.pacojaanson.com.au