

## Care Close Coupled Back To Wall Suite

Set-Out Details

S-Trap : 90-210mm Adjustable with P-5002 Connector

P-Trap : 180mm

Care Button - Round

Fixings / Brackets - Floor fixing kit included

Single flap - Quality soft close seat with stainless steel hinges

This toilet has been built from the best available materials and has been manufactured to the highest Australian & overseas standards.

The toilet is guaranteed by the manufacturer for 1 year parts and labour and 15 years parts only. Failure to comply to these installation instructions will void this warranty.

## HDC692-HEP-800

Rimless Toilet Suite

### IMPORTANT

**This product must be installed by a licensed plumber in order for its optimal operation and for coverage of manufacturer's warranty**

All dimensions are in millimetres and are subject to normal manufacturing variations.

Paco Jaanson reserves the right to vary the specifications at any time without notice.



**Suitable for installation to comply to Australian Standard AS 1428.1-2009 Design for access and mobility**

### General Information

This next generation of back to wall toilet suite is eco friendly (4.5L/3L) and equipped with the most reliable mechanism in the world (WDI). It comes with soft close seat as standard. Its simplicity of form and back to wall pan makes it the perfect choice for your bathroom. It's short projection is sure to save you space as well.

### Maintenance

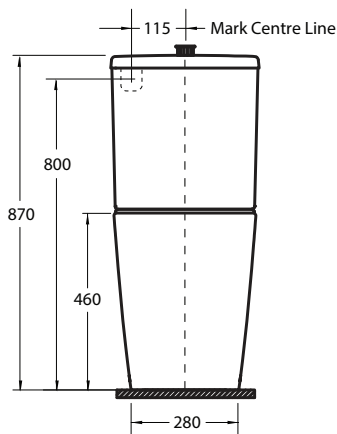
Should service be required on your toilet suite, please contact your distributor.

### Cleaning Suggestions

Use only clean soap and water with a soft sponge or cloth. DO NOT USE ANY DETERGENTS OR CREAM CLEANERS.

#### 1. Back Inlet

Mark centre line on wall.

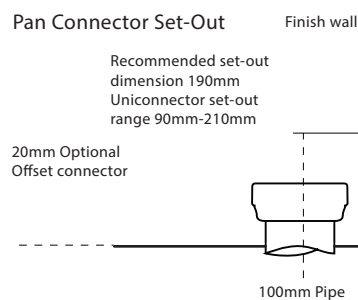


#### 2. Measure set-out & cut spigot accordingly.

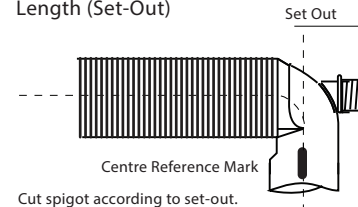
##### Pan Connector Set-Out

Recommended set-out dimension 190mm  
Uniconnector set-out range 90mm-210mm

20mm Optional Offset connector

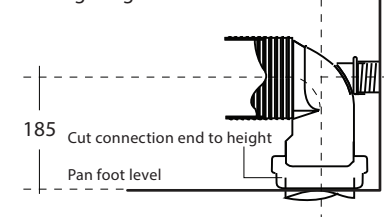


##### Spigot Cutting Length (Set-Out)

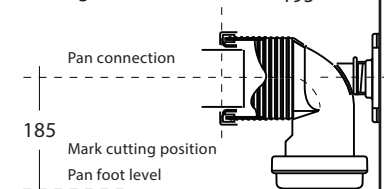


#### 3. Cut height for 180mm and pan connection end 195mm from the wall.

##### Connection End Cutting Height

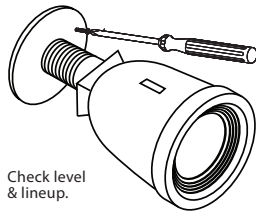


##### Pan Connection End Cutting Position



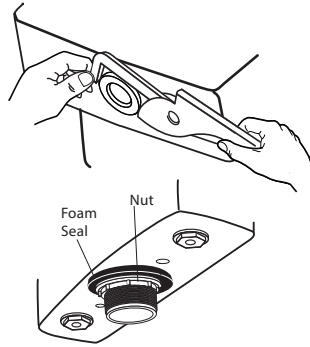
**4. Ensure spigot is fixed to the wall by screws for stability.**

Check length and height of Vario-Bend.



Check level & lineup.

**5. Tighten all cistern connections.**

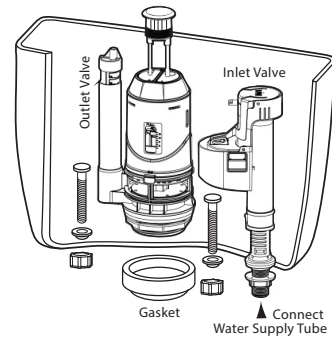


Foam Seal

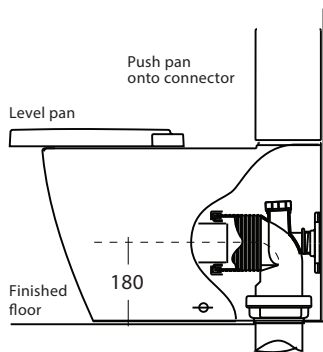
Nut

**6. Ensure all nuts are tightened well**

Check for leaks before installation by filling with water.



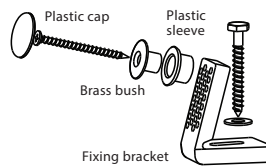
**7. Push Pan onto connector.**



Range 90mm-210mm

**8. Install Floor Fixing Brackets.**

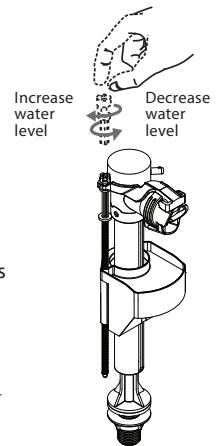
D.80 Concealed Fixing Bracket



Refer to Plumbers Installation Instructions Sheet C.3

PAN FIXING PROCEDURES

**9. Bottom Inlet Valve**

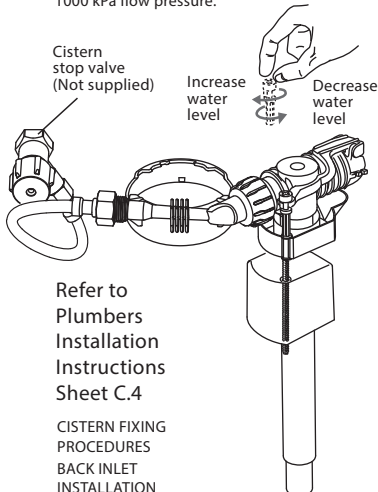


Refer to Plumbers Installation Instructions Sheet C.4

CISTERN FIXING PROCEDURES  
BOTTOM INLET INSTALLATION

**10. Stop Valve & Back Inlet Valve**

For back inlet installations the working pressure minimum 30 kPa to maximum 1000 kPa flow pressure.



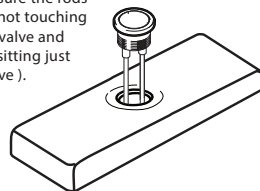
Refer to Plumbers Installation Instructions Sheet C.4

CISTERN FIXING PROCEDURES  
BACK INLET INSTALLATION

**11. Push Button Installation**

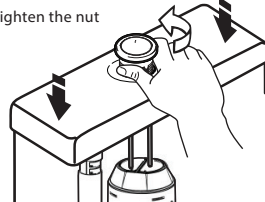
1. Cut the rod to a proper length, put the Push Button into the hole.

(Ensure the rods are not touching the valve and are sitting just above).



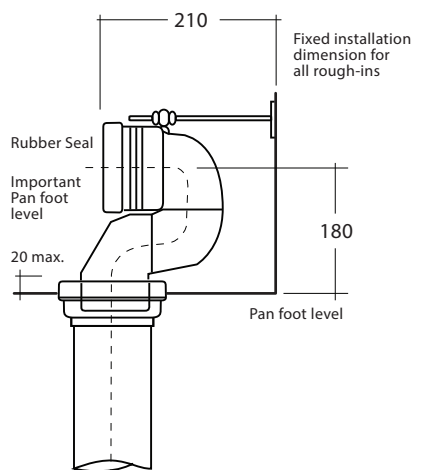
2. Adjust the direction of the Push Button. Be sure the full flush button is towards the full flush touch piece.

3. Tighten the nut



**12. Optional Vario-Bend available for Set-Out up to 210mm.**

Note: Connector available as an optional extra.



**Notice to Installers**

Please leave this sheet with the facility manager after completing the installation. This document contains information necessary for routine maintenance and servicing.

**Copyrights**

© 2020 PacoJaanson. All rights reserved. The information in this manual is subject to change without notice.