

paco jaansōn



LoveMe

DESIGN MAURIZIO DURANTI



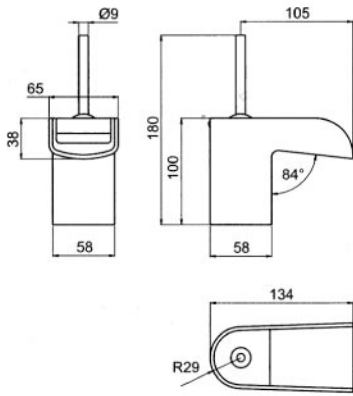
www.pacojaanson.com.au



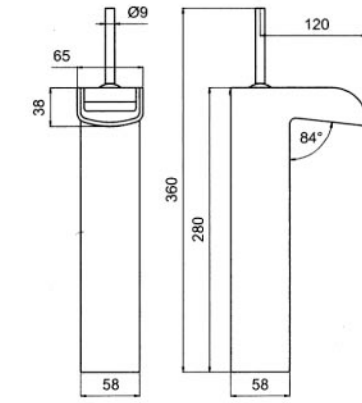
LOVEME
THE WINNER OF
GOOD DESIGN AWARD
IS NOW PART
OF THE PERMANENT COLLECTION OF
THE **CHICAGO ATHENEUM**,
IN THE MUSEUM OF MODERN ART AND DESIGN



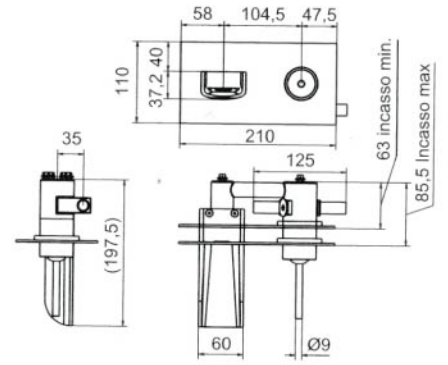




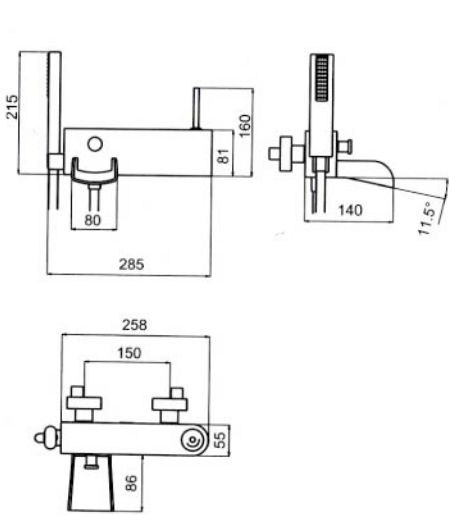
COD. LM200



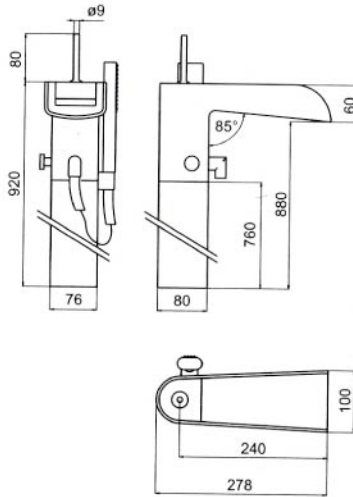
COD. LM202



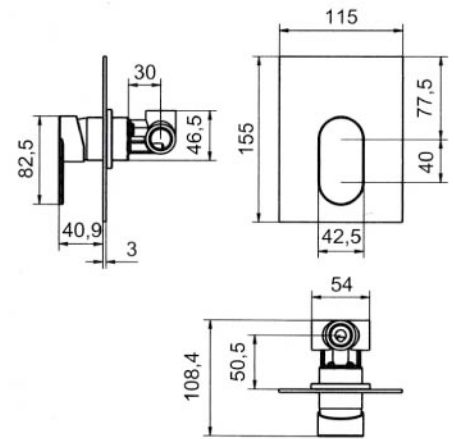
COD. LM206



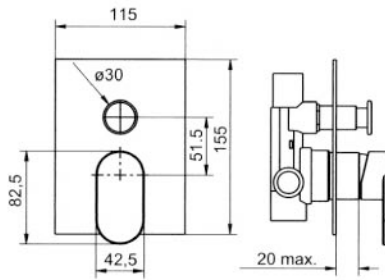
COD. LM250



COD. LM399



COD. LM300



COD. LM310

www.pacojaanson.com.au



MAURIZIO DURANTI



MANUFACTURED BY