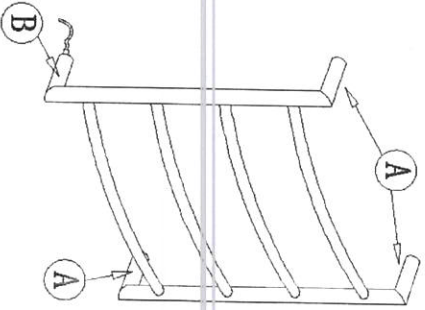


INSTALLATION & ILLUSTRATION

Thank you for buying the heated towel rail.

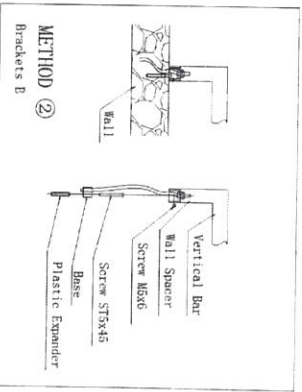
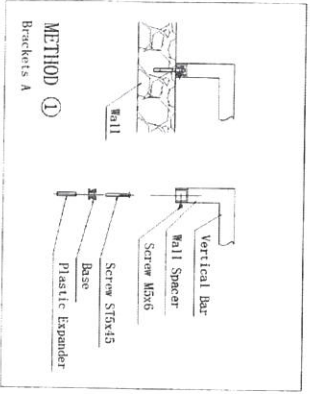
Note the heated towel rail must be installed by a professional service agent or qualified person. Make sure you have read the safety information before installing. Make sure there is enough space for your heated towel rail according to its real size and there is no direct contact with other objects.

CONCEALED WIRING INSTALLATION

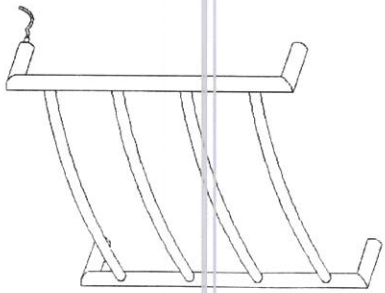
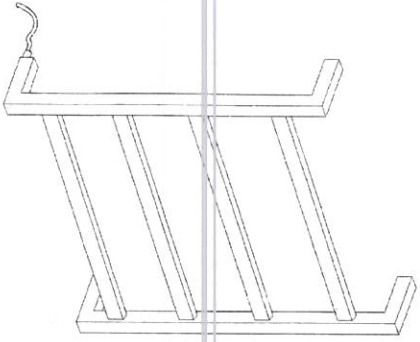


- A indicates brackets which fix the towel rail to the wall. They are installed using **METHOD ①** below.
- B is bracket which the cable goes out. Please install using **METHOD ②**.

BRACKET INSTALLATION METHODS



HEATED TOWEL RAIL INSTRUCTION MANUAL



MODEL NO.: HTR-SQ4BAR-W600

MODEL NO.: HTR-RD4BAR-W600