

paco jaansōn

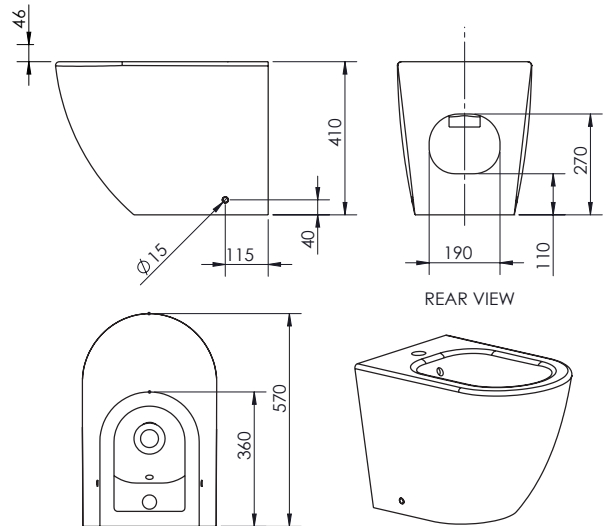
DIJŌN

Back To Wall Floor Bidet
Product Code: LT-2141C-R



Dimensions

360mm (w) x 570mm (d) x 410mm (h)



DESCRIPTION

A revolution in design, this ceramic bidet by Paco Jaanson is a clean & contemporary economical choice. This bidet is manufactured with a flawless production process & is hand finished with a superior glazing technique.

The final result is determined by the connection between form and concept. Quality and comfort.

Features

CE Certified

One Tap Hole only

Fixings / Brackets - Floor fixing kit included

15 Years Limited Manufacturers Warranty

1 Year Limited Commercial Warranty

Plug / Waste & Trap not included

Complete with Overflow



PRICING STRUCTURE

Retail Pricing:

Gloss White Finish: LT-2141C-R

\$390.00 gst inclusive

PACO JAANSON BATHROOM INNOVATIONS

Copyright © 2020. All rights reserved. Updated 04th January 2021.

Telephone : 1800 006 260

Email - info@pacojaanson.com.au

www.pacojaanson.com.au

paco jaanson

DIJÛN

Back To Wall Floor Bidet
Product Code: LT-2141C-R

Dimensions
360mm (w) x 570mm (d) x 410mm (h)



All installations should be carried out by a qualified tradesman in compliance with the national Plumbing & Drainage Code and any State or Local Authority Regulations, in accordance with AS/NZS 3500 series of standards and AS/NZA 6400.

WARRANTY STATEMENT

Paco Jaanson vitreous china is guaranteed for 15 years (accessories, valves, washers are guaranteed for 1 year) from date of purchase subject to the following conditions:

1. Installation has been carried out by a licensed plumber in accordance with the plumbing code of Australia.
2. All maintenance and adjustments to the product after the installation have been carried out by a licensed plumber.
3. Only mild household detergents and soft (non-abrasive) cloth has been used to clean the product.
4. All goods of substandard quality manufacture (excluding imperfections permitted within AS1976 - vitreous china used in sanitary applications) will be credited or replaced by Paco Jaanson when advised within the warranty period, subject to prior inspection and agreement.
5. Proof of purchase is required for warranty claims.

FULL WARRANTY & CONDITIONS
www.pacojaanson.com.au

LIMITATIONS

To the extent permitted under the Trade Practices Act and other relevant legislation, Paco Jaanson's liability is limited to: The cost of replacing the goods, or The cost of obtaining equivalent goods, or The cost of having the goods repaired. Paco Jaanson is not responsible for any lack of operation or performance of goods (or any loss or damage) where goods are used or adapted for a with other goods not supplied by Paco Jaanson. It is the responsibility of the customer and installer before installation to ensure are correct and free of obvious visible faults. Paco Jaanson is not responsible for the labour and rectification costs incurred in the above circumstance.

PRICING STRUCTURE

Retail Pricing:
Gloss White Finish: LT-2141C-R
\$390.00 gst inclusive

PACO JAANSON BATHROOM INNOVATIONS
Copyright © 2020. All rights reserved. Updated 04th January 2021.

Telephone : 1800 006 260
Email - info@pacojaanson.com.au
www.pacojaanson.com.au