

paco jaanson

PROJECTION

La Douche Shower Rail Set - Brushed Nickel Finish
Product Code: Hi-HED850-BN



DESCRIPTION

Choosing the right shower for your bathroom is not just about good looks and design, it's also important to recognise the function you want it to perform in order to get the best possible result. It's about form + function, and the Projection Range offers something for everyone's consideration.

Project Shower Rails offer the functionality of adjustable height for the unit along the standard wall rail. All products in the collection of rail showers have hand sets that can be lifted and used as a hand shower which can be used to clean the body and the shower recess.

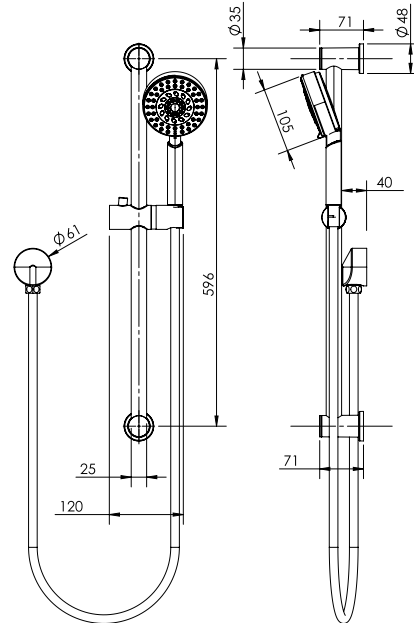
Hand showers offer the functionality of a fixed-point shower with the versatility of a moveable shower head which can be used to clean the body as well as the shower recess.

PRICING STRUCTURE

Retail Pricing:
Hi-HED850-BN - Brushed Nickel Finish
\$214.50 gst inclusive

Rail Dimensions

48mm (w) x 71mm (d) x 644mm (h)



Features

Three Function Shower Head

- Normal Spray
- Mist Spray
- Firm Jet Spray

5 Star - Wels 5.5 Litres Per Minute

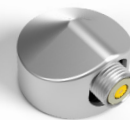
7 Years Limited Manufacturers Warranty

1 Year Limited Commercial Warranty

Brushed Nickel Finish - 1 Year Limited Warranty

Super Smooth Rail System

Round Elbow (Hi-C1ELBOW-BN) Included



PACO JAANSON BATHROOM INNOVATIONS

Copyright © 2017. All rights reserved. Updated: 26th March 2024.

Telephone : 1800 006 260

Email - info@pacojaanson.com.au

www.pacojaanson.com.au