

paco jaanson

BATHROOM CARE

Care Link Toilet Suite with Raised Height Pan + Button

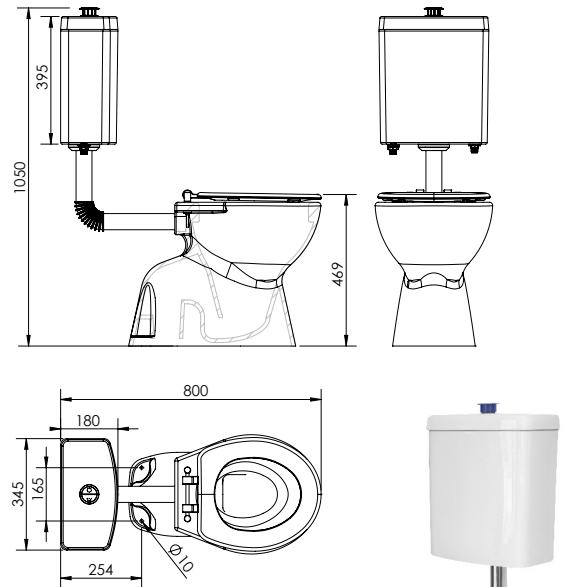
Code: HDC615-HG-583-WBB (Blue flap seat / Blue raised button)



Featured with the Care back rest (BR1003) not included

Overall Dimensions

355mm (w) x 800mm (d) x 1050mm (h)



DESCRIPTION

The Paco Jaanson Care range is committed to providing innovative solutions formed through knowledge and insight to ensure critical living hubs like bathrooms are designed to fully consider the needs of users and their carer's, to maximise independence and a greater degree of user comfort, dignity, respect & safety.

Their aged care and disability solutions are adaptable and allow flexibility when renovations or redesign is being considered. Benelli puts the user first so you can choose Paco Jaanson with confidence.



Features

Vitreous china

4 Star - Wels 4.5/3 litres dual flush

S-trap 290mm

Single flap seat with rotational buffers for greater stability

15 Years Limited Manufacturers Warranty

1 Year Limited Commercial Warranty

Available: White seat / Chrome raised button (HDC615-HG-583-WWC)

Grey seat / Grey raised button (HDC615-HG-583-WGG)

♿ Suitable for installation to comply to Australian Standard AS 1428.1-2009 Design for access and mobility

Care back rest (Code BR1003) optional extra

Based on location of toilet seat hinging point, determine desired length of 30mm Diameter Stainless Steel Bar to achieve 95°-100° angle on seat when raised. Cut Stainless Steel Bar to suit.

PRICING STRUCTURE

(All prices nominated are Excluding GST)

Retail Pricing:

HDC615-HG-583-WBB

\$620.00 ex.gst

BR1003

\$270.00 ex.gst

PACO JAANSON BATHROOM INNOVATIONS

Copyright © 2018. All rights reserved. Updated: 24th May 2024.

Telephone : 1800 006 260

Email - info@pacojaanson.com.au

www.pacojaanson.com.au

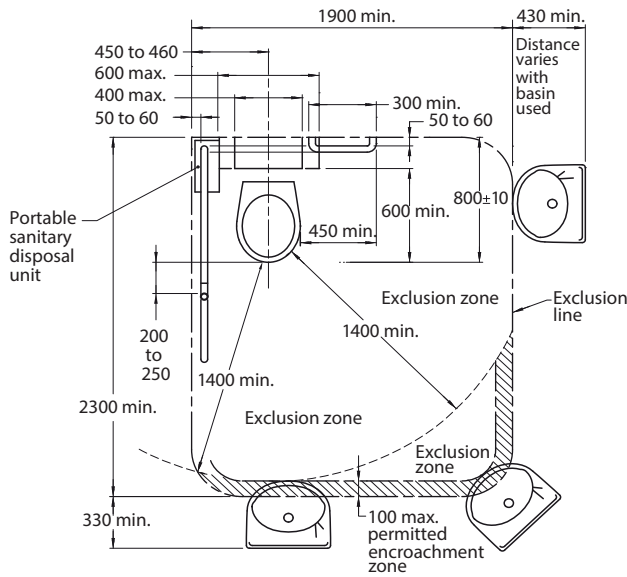
paco jaanson

BATHROOM CARE

Care Link Toilet Suite with Raised Height Pan + Button
Code: HDC615-HG-583-WBB (Blue flap seat / Blue raised button)

ACCESS AND MOBILITY

Suitable for installation to comply to Australian Standard AS 1428.1-2009 Design for access and mobility



DIMENSIONS IN MILLIMETRES
CIRCULATION SPACE FOR WC PAN
www.standards.org.au



All installations should be carried out by a qualified tradesman in compliance with the national Plumbing & Drainage Code and any State or Local Authority Regulations, in accordance with AS/NZS 3500 series of standards and AS/NZA 6400.

WARRANTY STATEMENT

Paco Jaanson vitreous china is guaranteed for 15 years (seat cover, accessories, valves, washers are guaranteed for 1 year) from date of purchase subject to the following conditions:

1. Installation has been carried out by a licensed plumber in accordance with the plumbing code of Australia.
2. All maintenance and adjustments to the product after the installation have been carried out by a licensed plumber.
3. Only mild household detergents and soft (non-abrasive) cloth has been used to clean the product.
4. All goods of substandard quality manufacture (excluding imperfections permitted within AS1976 - vitreous china used in sanitary applications) will be credited or replaced by Paco Jaanson when advised within the warranty period, subject to prior inspection and agreement.
5. Proof of purchase is required for warranty claims.

FULL WARRANTY & CONDITIONS
www.pacojaanson.com.au

LIMITATIONS

To the extent permitted under the Trade Practices Act and other relevant legislation, Paco Jaanson's liability is limited to: The cost of replacing the goods, or The cost of obtaining equivalent goods, or The cost of having the goods repaired. Paco Jaanson is not responsible for any lack of operation or performance of goods (or any loss or damage) where goods are used or adapted for a with other goods not supplied by Paco Jaanson. It is the responsibility of the customer and installer before installation to ensure are correct and free of obvious visible faults. Paco Jaanson is not responsible for the labour and rectification costs incurred in the above circumstance.

PRICING STRUCTURE

(All prices nominated are Excluding GST)

Retail Pricing:
HDC615-HG-583-WBB
\$620.00 ex.gst



Raised Care button with large activation face



PACO JAANSON BATHROOM INNOVATIONS
Copyright © 2020. All rights reserved. Updated: 24th May 2024.

Telephone : 1800 006 260
Email - info@pacojaanson.com.au
www.pacojaanson.com.au