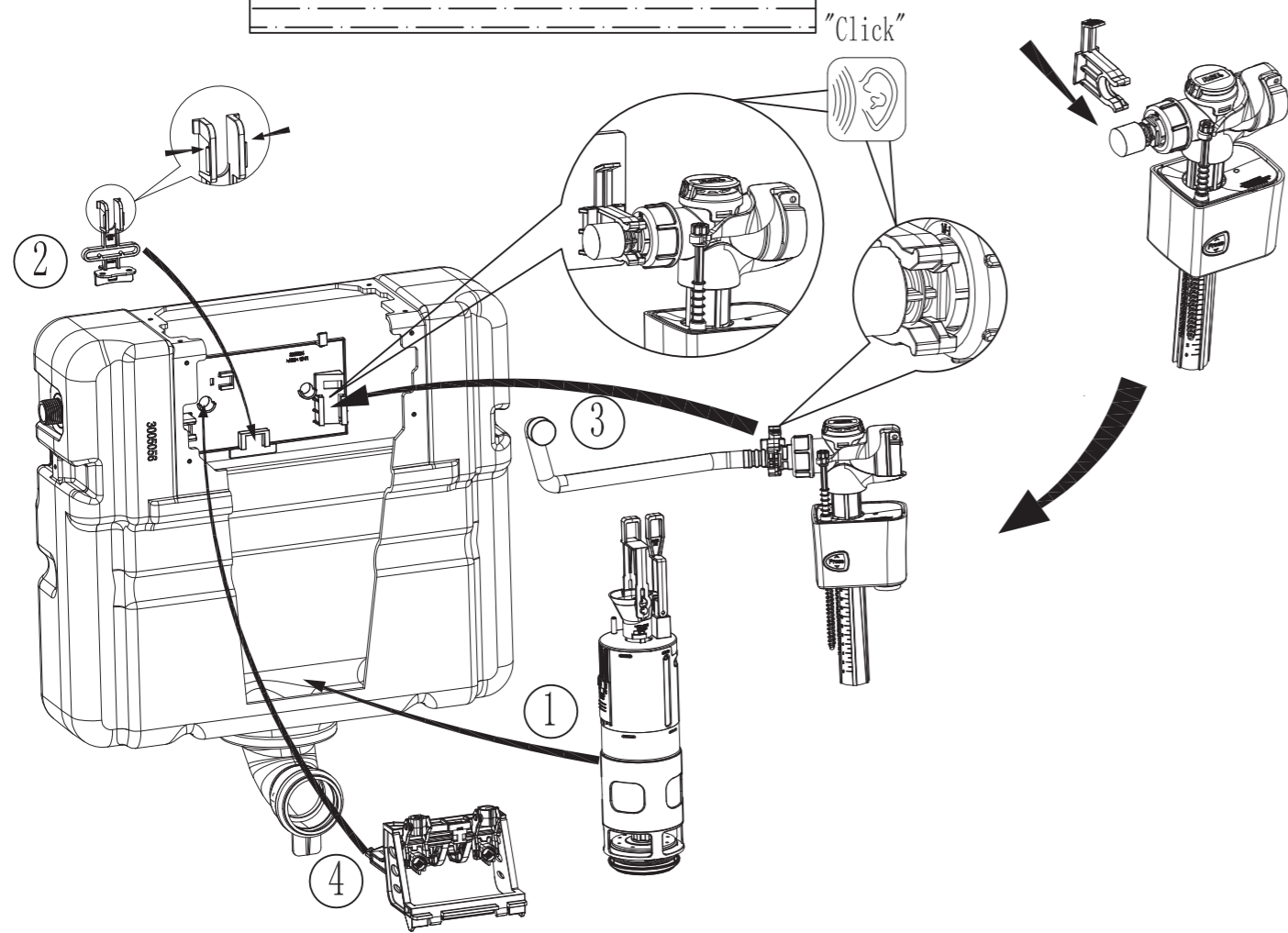
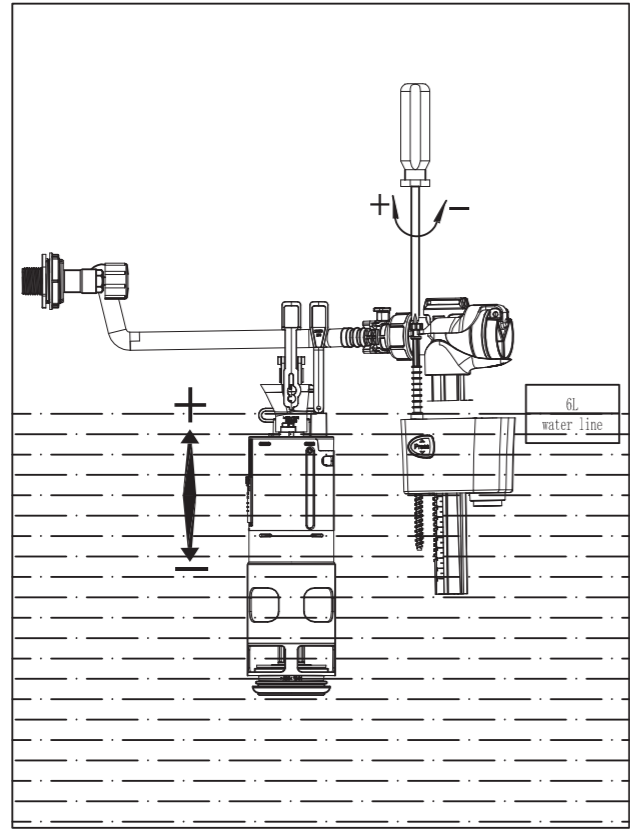


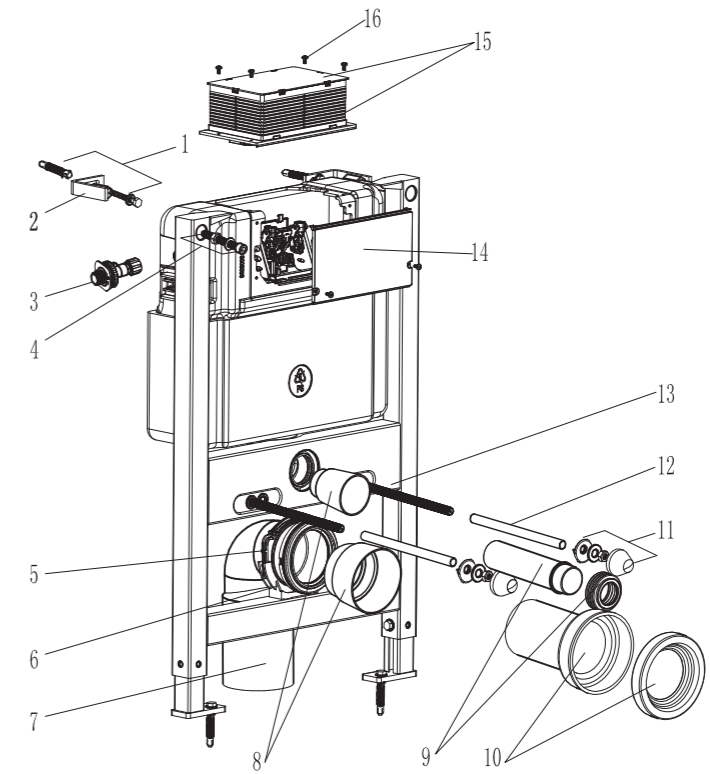
10. Internal flushing mechanism assembly drawing



The internal flushing mechanism are already well-assembled and above picture only for reference.

ASGF0349006A-1.0

- ▬ Frame-structure ▬
- ▬ Concealed Cistern ▬
- ▬ Installation Manual ▬



List of main installation accessories

NO.	Description	Qty	Function
1	Expansion screw	4	Mounting of frame and wall bracket
2	Wall bracket	2	Fixation of frame
3	Angle valve	1	Fill valve inlet and shut-off
4	Socket head screw	2	Mounting of frame and locking into wall bracket
5	Mounting bracket	1	To mount draining syphon
6	Fixed mount	1	
7	Draining syphon	1	To discharge liquid and solid waste from ceramic bowl .
8	Piping stopper	2	To reserve space for straight tube and connecting pipe
9	Straight tube	1	To joint cistern into ceramic bowl
10	Connecting pipe	1	(cutting in accordance with wall thickness)
11	Ceramic bowl fixing accessories	2	To mount ceramic bowl
12	Protective cover	2	To protect connecting screw at wall building
13	Connecting screw	2	To mount ceramic bowl
14	Cistern cover	1	To seal the other window in case of choosing top and front push way so as to avoid dust going into the tank when building the wall
15	Plastic holder	1	To reserve space for installation of actuator at wall building
	Plastic holder cover	1	To prevent dust and impurities into tank at wall building
16	Self-tapping bolt	6	To fix plastic holder and cistern cover

**Important instruction:**

1. Please adhere to the following installation instructions. We shall not be responsible for failures and loss that are contributed to improper installation.
2. Please confirm the fixation location of cistern prior to installation and obtain the finished floor surface. Draw FFL on installation wall and follow it as baseline from ZERO (0) level.
3. The instructions have been composed based in the latest product specifications. We reserve the right to make modifications to the packaging and specifications without providing prior notification.

**NOTES:**

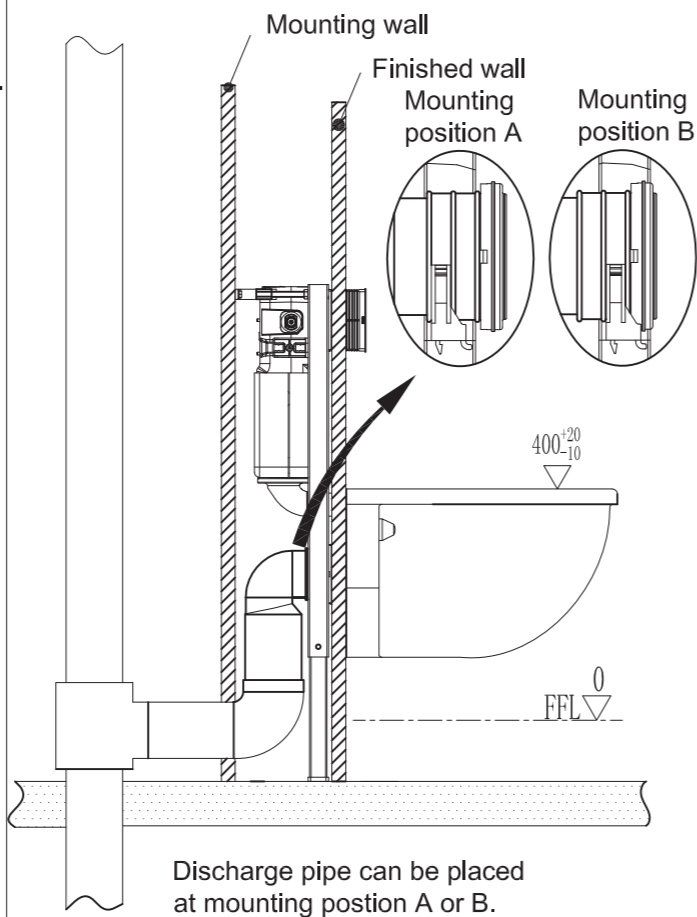
1. Mount before bricks building.
2. All size unit in mm.
3. Follow the material product, should there is an unconformity with drawing.

⚠ FFL 0 = Finished Floor.

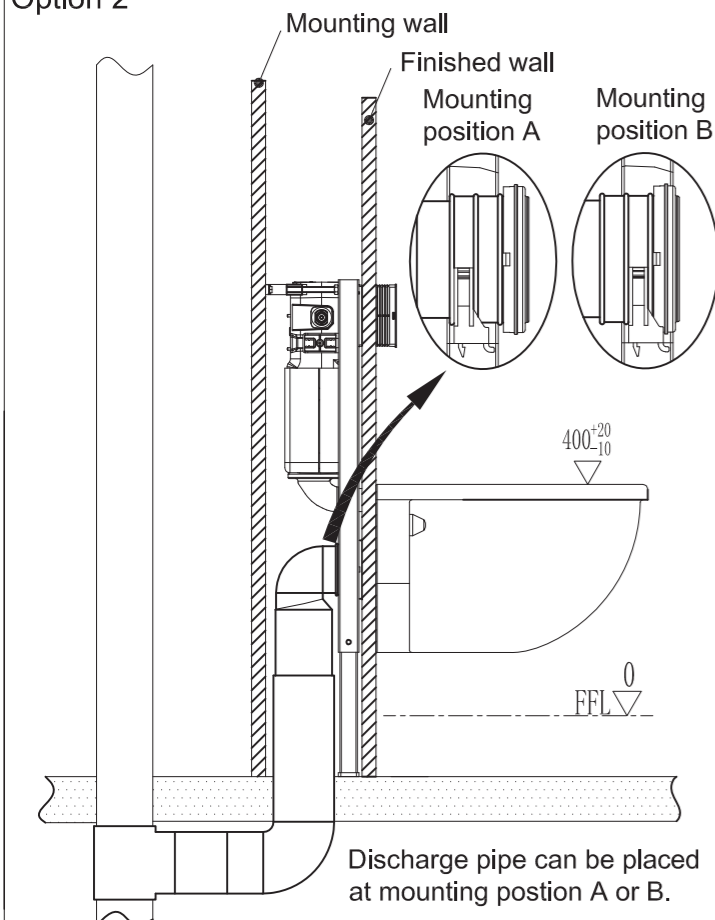
**1. Drainage System Layout**

Drawing 1 to 3 are three different installation systems for drain pipe. Customer should confirm whichever installation system according to drainage outlet position. If drainage outlet does not fall within the three systems, customer should follow one of three drainage system layout to correspond installation of our concealed cistern.

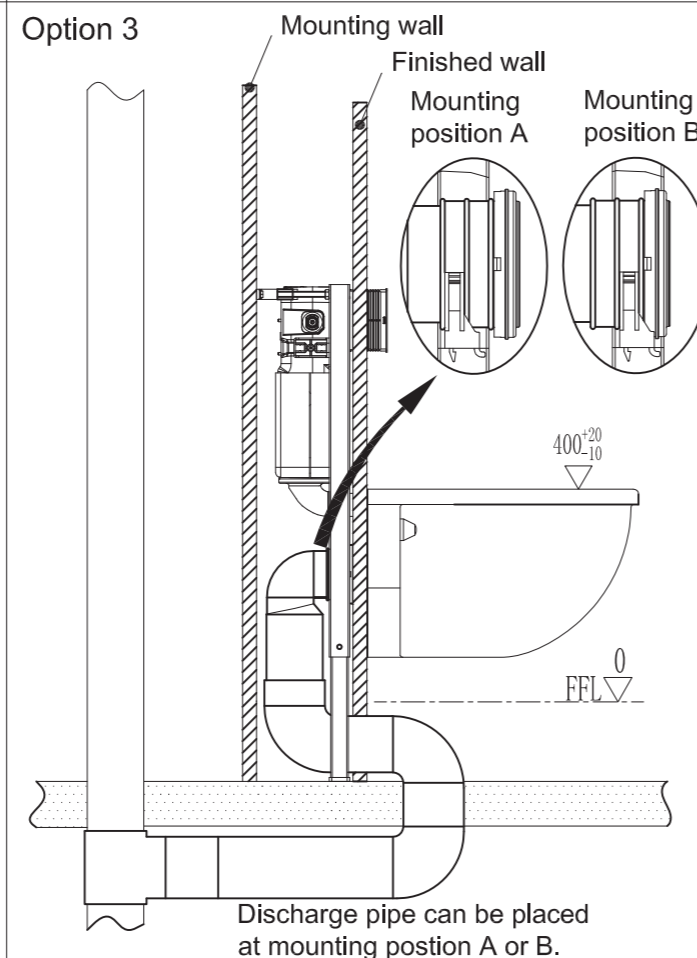
**Option 1**



**Option 2**



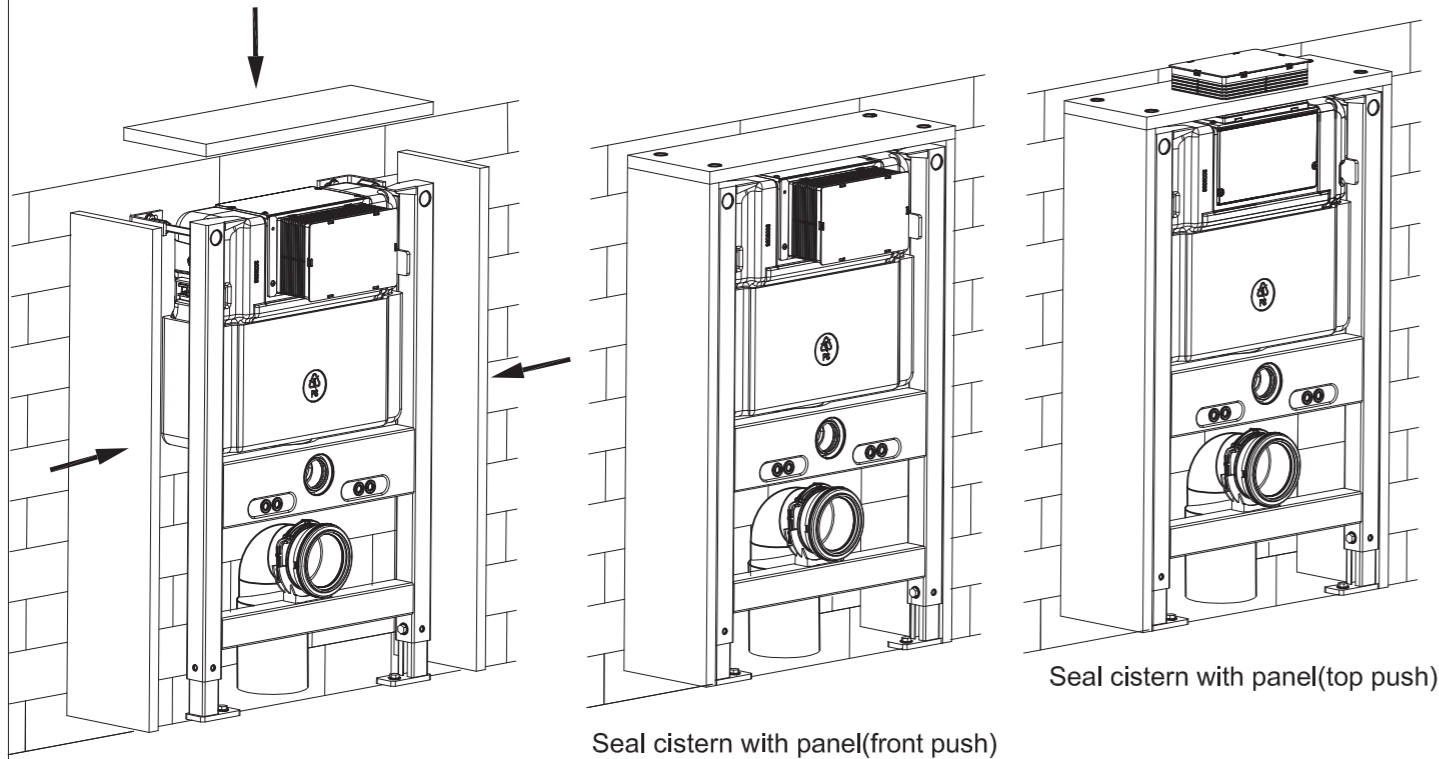
**Option 3**



**9. Mounting of ceramic bowl**

<p>① Fully insert the straight tube into cistern flushing outlet and connecting pipe into discharging outlet.</p>	<p>② Draw the lines as above picture.</p>	<p>③ Apply lubricant on rubber washers of straight tube and connecting pipe, then insert into ceramic holes.</p>
<p>④ Draw the lines as above picture.</p>	<p>⑤ As per drawing, L1 is distance between the two lines on straight tube. L2 is distance between the two lines on connecting pipe. Cut the straight tube and connecting pipe as per above drawing.</p>	<p>⑥ Polishing the cutting surface to get chamfer angle as per drawing and deburring.</p>
<p>⑦ Cut the protection sleeve outside of the wall with a knife. Apply lubricant on joint surface of straight tube and connecting pipe.</p>	<p>⑧ Adjust length of connecting bolt to be d+20mm.</p>	<p>⑨ Firstly insert connecting pipe into discharging outlet and straight tube into ceramic hole.</p>
<p>⑩ Mounting the ceramic bowl.</p>	<p>⑪ Screw the bowl and remove the extra pad.</p>	<p>⑫ Apply cement or glue to fill and level up the gap to wall.</p>

7. Seal cistern with panel to avoid dust going into cistern (panel offered by customers)

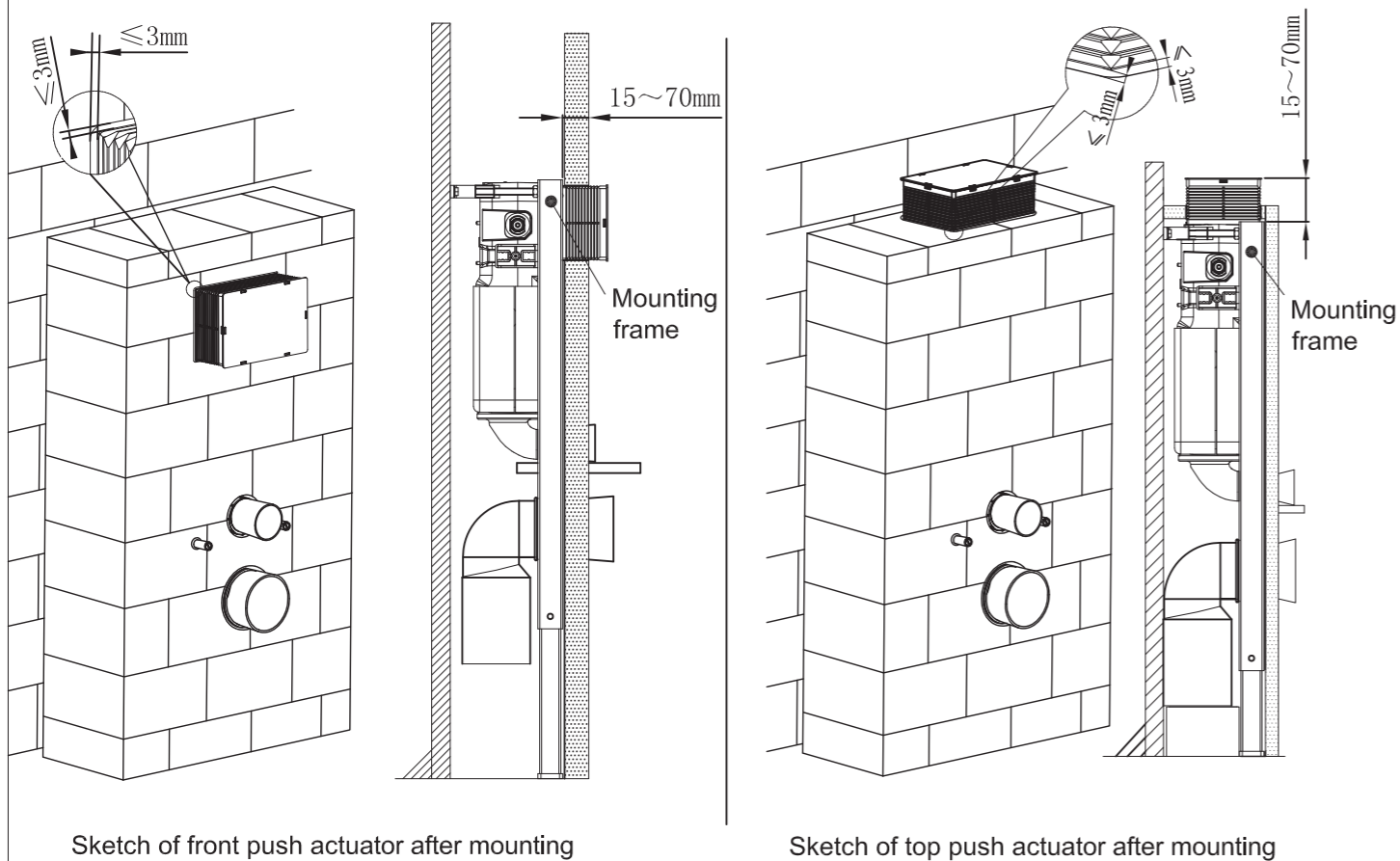


Seal cistern with panel(top push)

Seal cistern with panel(front push)

Remark: Please fix panel on the mounting wall

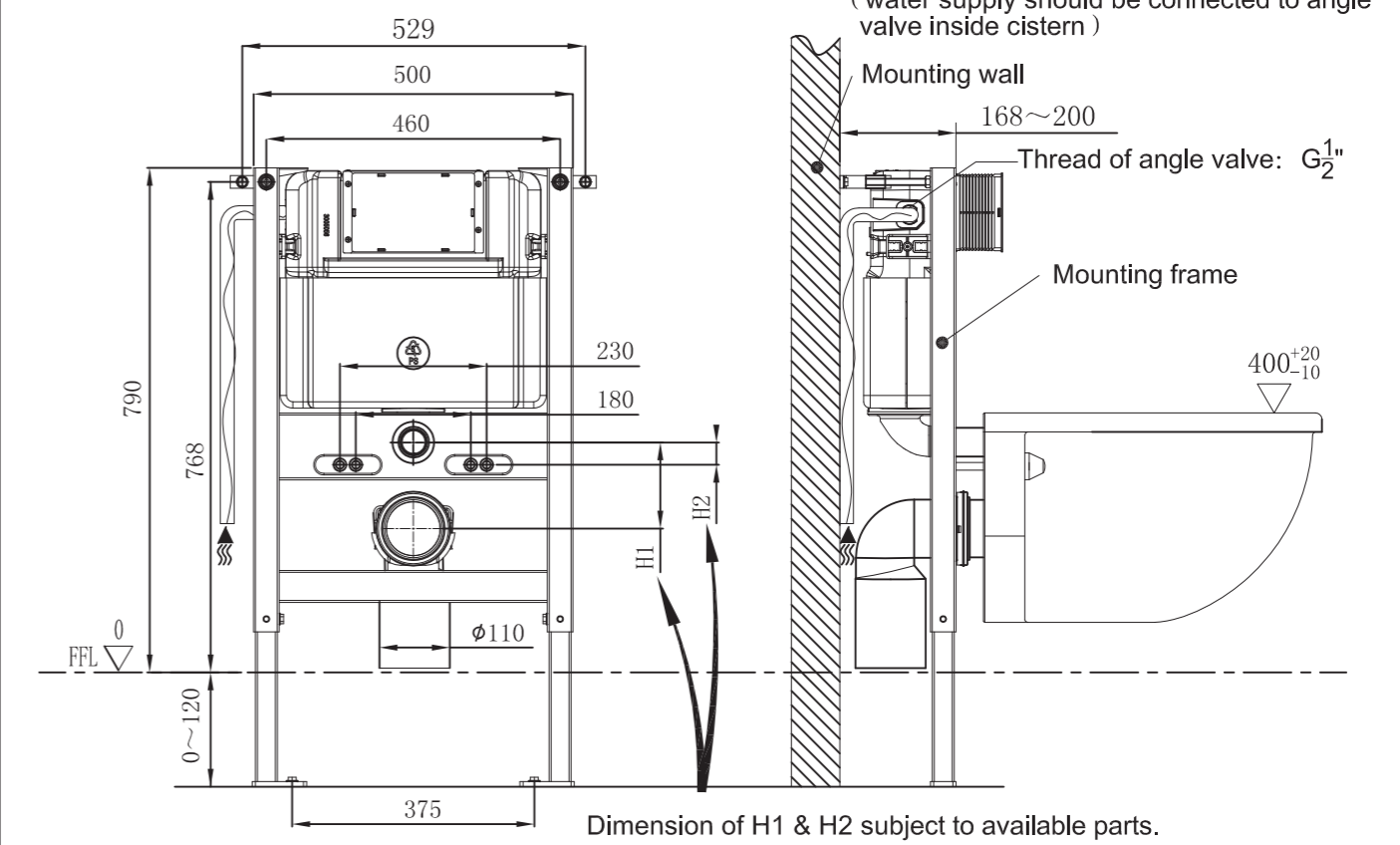
8. Wall thickness range 15-70mm (from frame outside surface to finished wall)



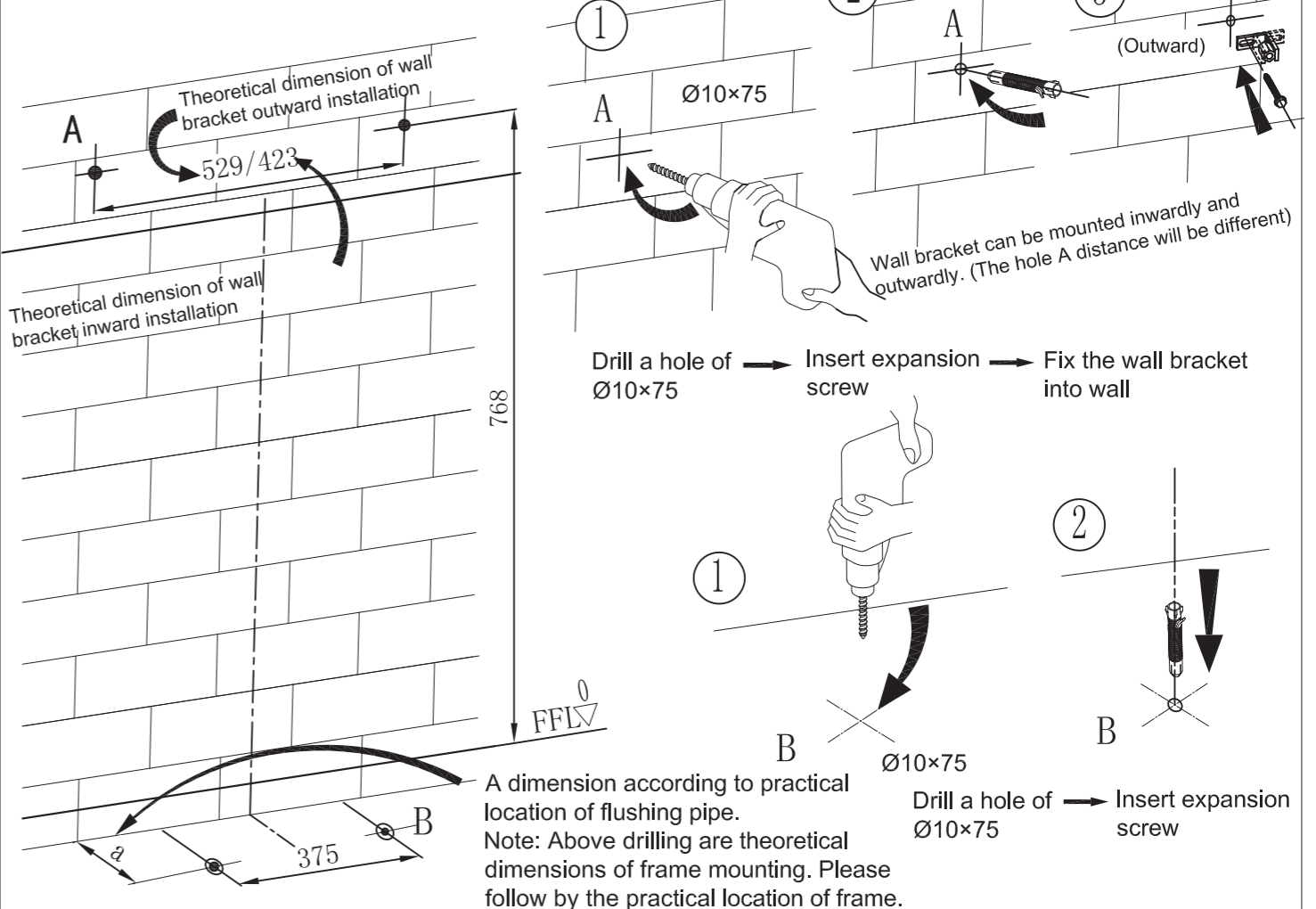
Sketch of front push actuator after mounting

Sketch of top push actuator after mounting

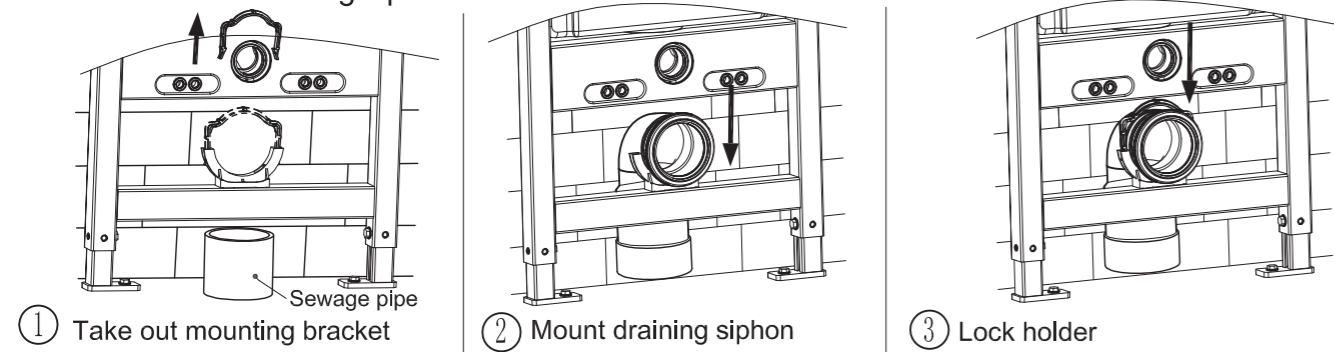
2. General dimension and water supply drawing



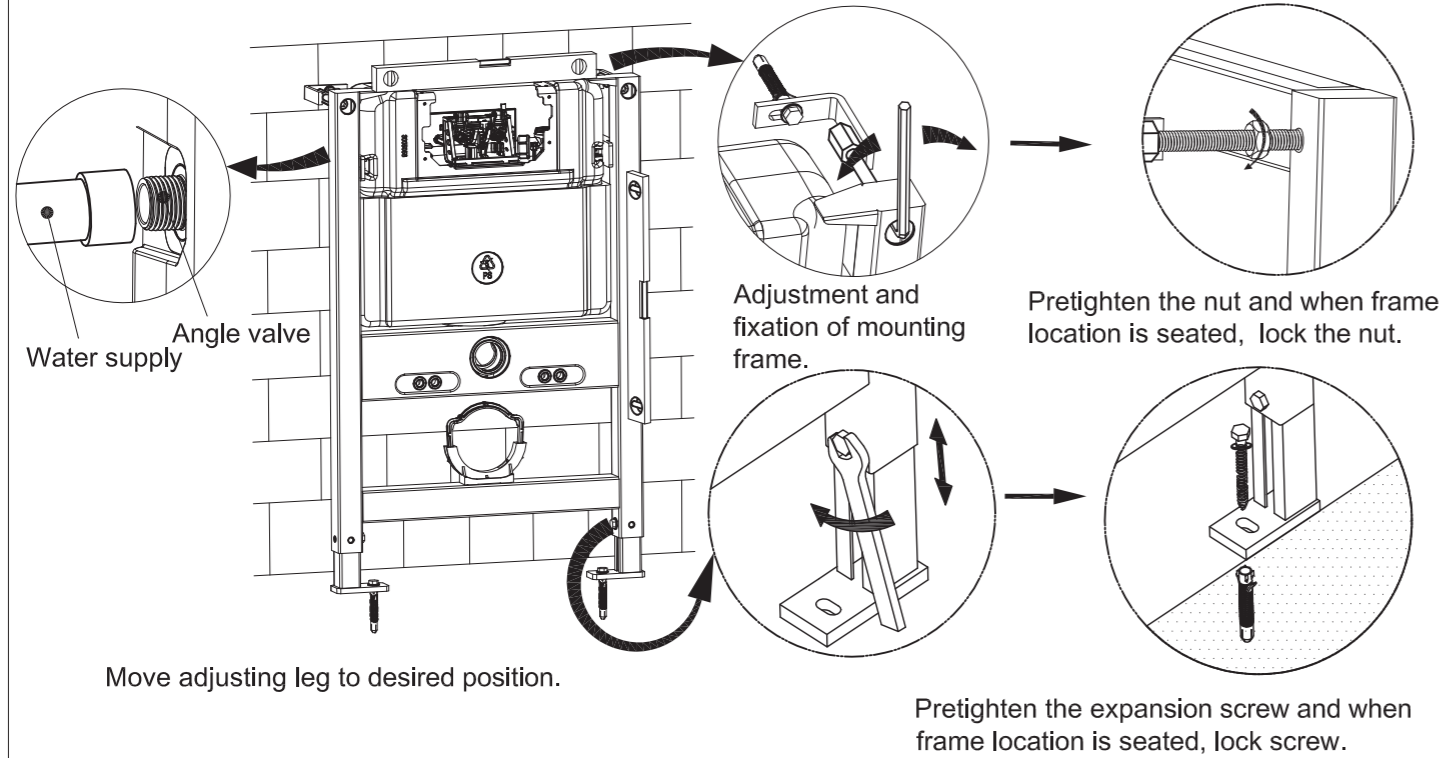
3. Drill holes on mounting wall and floor and install expansion screws



4. Installation of draining siphon

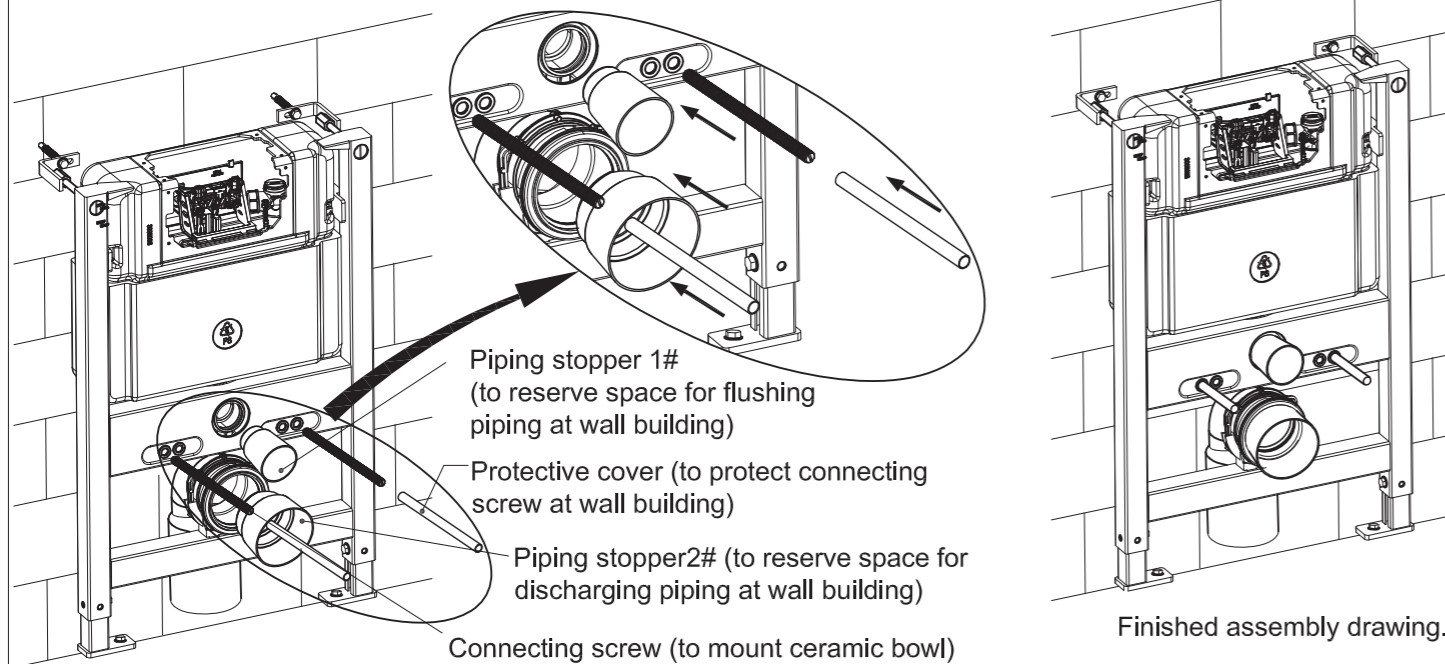


5. Adjust metal frame in proper position in vertical and horizontal direction, then fix socket head screw and floor fixing sets, install water supply pipe



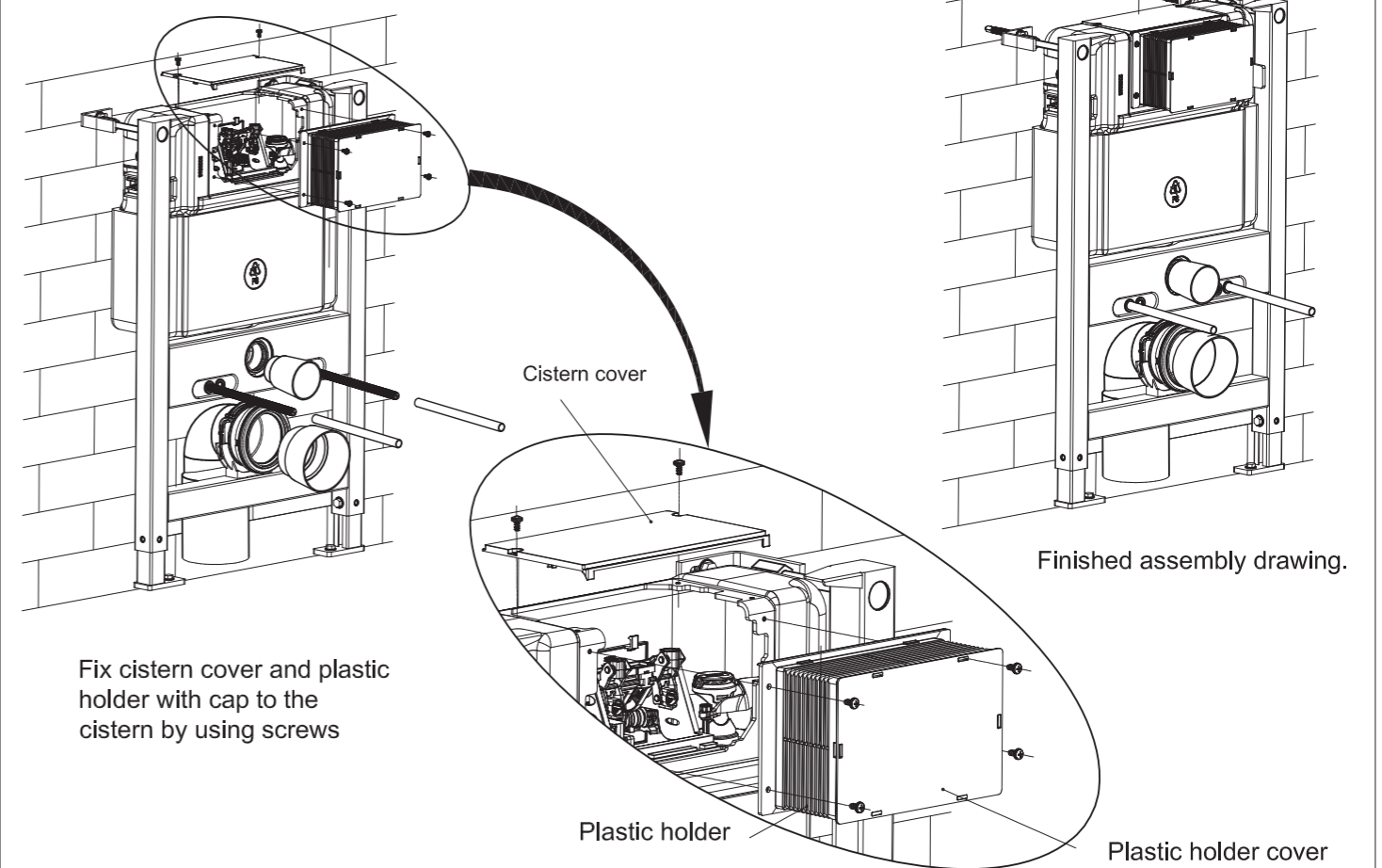
6. Mounting of installation accessories

6.1. Mounting of inserts:



6. Mounting of installation accessories

6.2. Mounting of inserts for front push cistern:



6. Mounting of installation accessories

6.3. Mounting of inserts for top push cistern:

