

# paco jaanson

## Projection

Long Bottle Trap with 38mm Horizontal Pipe + Adaptor  
Product Code: A186W



## DESCRIPTION

This basin Bottle Trap has been built from the best available materials and has been manufactured to the highest Australian and overseas standards.

The Bottle Trap cover makes the exposed plumbing under your basin a designer feature. It is the solution to enhance bathroom looks even under the basin.

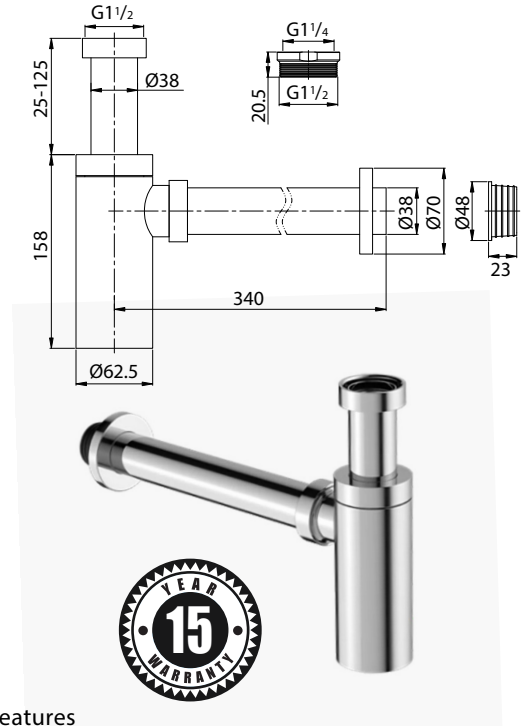
The Trap is supplied with maximum length as indicated and can be shortened to minimal adjustments with ease.

## PRICING STRUCTURE

Polished Chrome A186W \$140.00 gst inc.	Brushed Nickel ALS186W-BN \$170.00 gst inc.	Matt Black ALS186W-MB \$170.00 gst inc.
---	---	---

## Dimensions

70mm (w) x Max. 375mm (d) x Max. 283mm (h)



## Features

- Best Suits Wall Hung Basins
- 38mm Connection to Plug + Waste
- 95mm Verticle Adjustment
- Easy Discharge of Trapped Waste
- Sleek Polished Chrome Finish
- 15 Years Limited Manufacturers Warranty
- 1 Year Limited Commercial Warranty
- Water Mark Approved



Also Available in :

- Brush Nickel Finish - ALS186W-BN
- Matt Black Finish - ALS186W-MB

This Model Replaces :

- HI-BTRS-38-CP
- HI-BTRS
- HI-BTRS-38-MB

PACO JAANSON BATHROOM INNOVATIONS  
Copyright © 2019 All rights reserved. Updated 08th May 2024.

Telephone : 1800 006 260

Email - [info@pacojaanson.com.au](mailto:info@pacojaanson.com.au)

[www.pacojaanson.com.au](http://www.pacojaanson.com.au)