

paco jaanson

Projection

Long Bottle Trap with 38mm Horizontal Pipe + Adaptor
Product Code: A186W



DESCRIPTION

This basin Bottle Trap has been built from the best available materials and has been manufactured to the highest Australian and overseas standards.

The Bottle Trap cover makes the exposed plumbing under your basin a designer feature. It is the solution to enhance bathroom looks even under the basin.

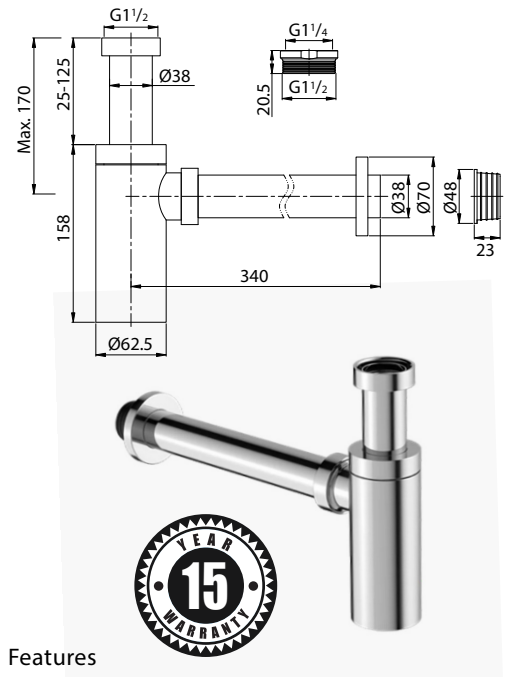
The Trap is supplied with maximum length as indicated and can be shortened to minimal adjustments with ease.

PRICING STRUCTURE

Polished Chrome	Brushed Nickel	Matt Black	Gun Metal
A186W	ALS186W-BN	A186W-MB	A186W-GM
\$140.00 gst inc.	\$170.00 gst inc.	\$170.00 gst inc.	\$170.00 gst inc.

Dimensions

70mm (w) x Max. 375mm (d) x Max. 283mm (h)



Features

- Best Suits Wall Hung Basins
- 38mm Connection to Plug + Waste
- 95mm Vertical Adjustment
- Easy Discharge of Trapped Waste
- Sleek Polished Chrome Finish
- 15 Years Limited Manufacturers Warranty
- 1 Year Limited Commercial Warranty

Water Mark Approved



Also Available in :

- Brush Nickel Finish - ALS186W-BN
- Matt Black Finish - A186W-MB
- Gunmetal Finish - A186W-GM

These Model Replaces :

- HI-BTRS-38-CP
- HI-BTRS
- HI-BTRS-38-MB

PACO JAANSON BATHROOM INNOVATIONS
Copyright © 2019 All rights reserved. Updated 06th September 2024.

Telephone : 1800 006 260

Email - info@pacojaanson.com.au

www.pacojaanson.com.au