

# paco jaanson

## VITRA V-CARE SMART TOILET

V-Care Prime Smart Floorstanding Toilet

Product Code: 7232B403-6217

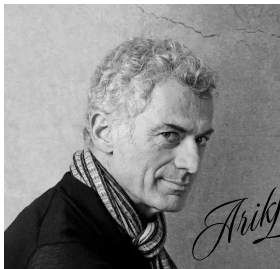


## DESCRIPTION

This toilet with an integrated bidet function provides gentle and thorough personal water-based cleansing, while also reducing the amount of toilet paper you use.

Personal cleansing with water offers more effective hygiene without irritating your skin, compared to using toilet paper. In addition to the relaxing and hygienic features of the Vitra V-Care series.

it also takes your toilet experience to the next level with its heated seat, dryer, and control numerous features controlled via remote or mobile app.



Designer : Arik Levy

## PRICING STRUCTURE

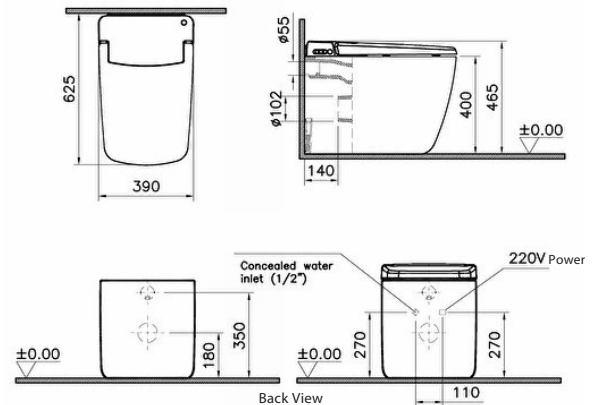
Retail Pricing:

Product Code: 7232B403-6217

\$5,500.00 inc.gst

## Dimensions

390mm (w) x 620mm (d) x 400mm (h)



## Features

Sophisticated Technology Delivers the Ultimate in Personal Hygiene with its :

- Front & Rear Wash with Adjustable Water Pressure
- Adjustable Seat Temperature
- Dryer & Adjustable Air Temperature
- Auto Open / Close Lid
- Air Purification
- Night Light

Comfort At Your Fingertips :

- Remote Control & Mobile App.
- Full Control of Hygiene & Personalised Settings

Rimless Flush - Wels 3 Stars - 4.0L Average Flush



Comply with :

AS/NZ60335.2 ( Household Electrical Appliances )

WMTS051 - Toilet Douche Seats

Australian Standards - WMKA1854

10 Years Limited Ceramic Warranty

2 Years Limited Bidet Seat Warranty

Requires In-Wall Cistern & Flush Button ( Sold Separately )

PACO JAANSON BATHROOM INNOVATIONS

Copyright © 2023. All rights reserved. New release -24th April 2024.

Telephone : 1800 006 260

Email - info@pacojaanson.com.au

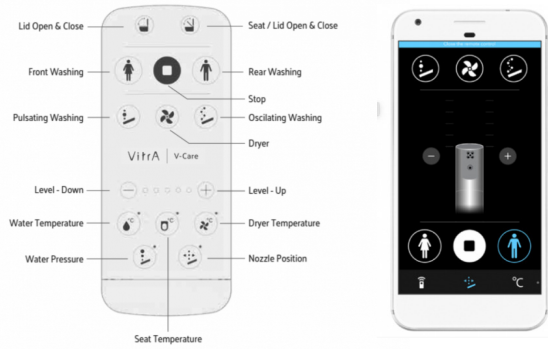
www.pacojaanson.com.au

# paco jaanson

## VITRA V-CARE SMART TOILET

V-Care Prime Smart Floorstanding Toilet

Product Code: 7232B403-6217



Quick and easy installation



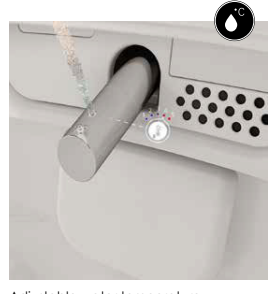
DVGW W540  
DIN EN 13079  
DIN EN 1717



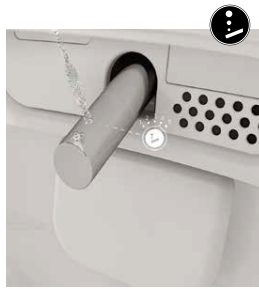
Front and rear wash  
The nozzle produces a rear wash suitable for all, as well as a gentler front wash as a bidet for women.



Adjustable nozzle position  
Perfect cleansing by adjusting the nozzle back and forth



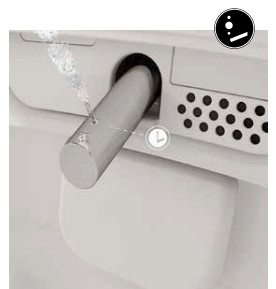
Adjustable water temperature  
Five different water temperature settings offer a more comfortable cleansing ritual.



Adjustable water pressure  
Five different levels of water pressure offer a thorough and pampering wash.



Oscillating wash  
The bidet nozzle moves back and forth for a thorough clean over a larger area.



Massage wash  
The water pressure alternates between gentle and firm for a massaging wash.



All installations should be carried out by a qualified tradesman in compliance with the national Plumbing & Drainage Code and any State or Local Authority Regulations, in accordance with AS/NZS 3500 series of standards and AS/NZA 6400.

## WARRANTY STATEMENT

Paco Jaanson ceramic china is guaranteed for 10 years ( seat cover, accessories, valves, washers are guaranteed for 1 year ) from date of purchase subject to the following conditions:

1. Installation has been carried out by a licensed plumber in accordance with the plumbing code of Australia.
2. All maintenance and adjustments to the product after the installation have been carried out by a licensed plumber.
3. Only mild household detergents and soft (non-abrasive) cloth has been used to clean the product.
4. All goods of substandard quality manufacture (excluding imperfections permitted within AS1976 - vitreous china used in sanitary applications) will be credited or replaced by Paco Jaanson when advised within the warranty period, subject to prior inspection and agreement.
5. Proof of purchase is required for warranty claims.

FULL WARRANTY & CONDITIONS  
[www.pacojaanson.com.au](http://www.pacojaanson.com.au)

## LIMITATIONS

To the extent permitted under the Trade Practices Act and other relevant legislation, Paco Jaanson's liability is limited to:

The cost of replacing the goods, or The cost of obtaining equivalent goods, or The cost of having the goods repaired. Paco Jaanson is not responsible for any lack of operation or performance of goods (or any loss or damage) where goods are used or adapted for a with other goods not supplied by Paco Jaanson. It is the responsibility of the customer and installer before installation to ensure are correct and free of obvious visible faults.

Paco Jaanson is not responsible for the labour and rectification costs incurred in the above circumstance.

## PRICING STRUCTURE

Retail Pricing:

Product Code: 7232B403-6217

\$5,500.00 inc.gst

PACO JAANSON BATHROOM INNOVATIONS

Copyright © 2023. All rights reserved. New release -24th April 2024.

Telephone : 1800 006 260

Email - [info@pacojaanson.com.au](mailto:info@pacojaanson.com.au)

[www.pacojaanson.com.au](http://www.pacojaanson.com.au)