

# paco jaanson

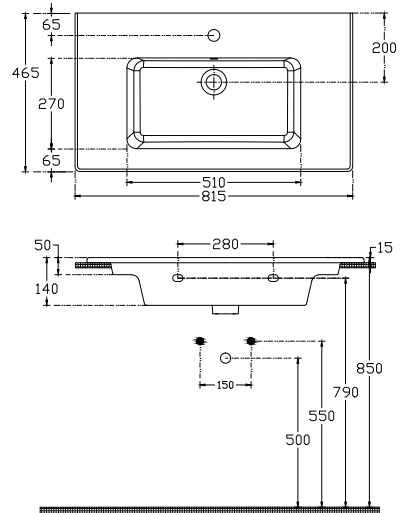
## ROBUST CARE

Care Robust Wall Mount Basin  
Code: PJ-R10SL51081 ( Suitable for SDA )



### Overall Dimensions

815mm (w) x 465mm (d) x 140mm (h)



All measurements are in millimetres & subject to change without notice.

## DESCRIPTION

The Paco Jaanson Care range is committed to providing innovative solutions formed through knowledge and insight to ensure critical living hubs like bathrooms are designed to fully consider the needs of users and their carers, to maximise independence and a greater degree of user comfort, dignity, respect & safety.

Their aged care and disability solutions are adaptable and allow flexibility when renovations or redesign is being considered. Paco Jaanson puts the user first so you can choose their products with confidence.



### Features

One tap hole

Plug and waste not included

5 Years Limited Manufacturers Warranty

1 Year Limited Commercial Warranty

 Suitable for installation to comply to Australian Standard AS 1428.1-2009 Amendment No.1 Design for access and mobility

Overflow supplied standard

## PRICING STRUCTURE

( All prices nominated are Excluding GST )

Retail Pricing:  
PJ-R10SL51081  
\$495.00 ex.gst

PACO JAANSON BATHROOM INNOVATIONS  
Copyright © 2019. All rights reserved. Created: 18th October 2024.

Telephone : 1800 006 260  
Email - info@pacojaanson.com.au  
www.pacojaanson.com.au